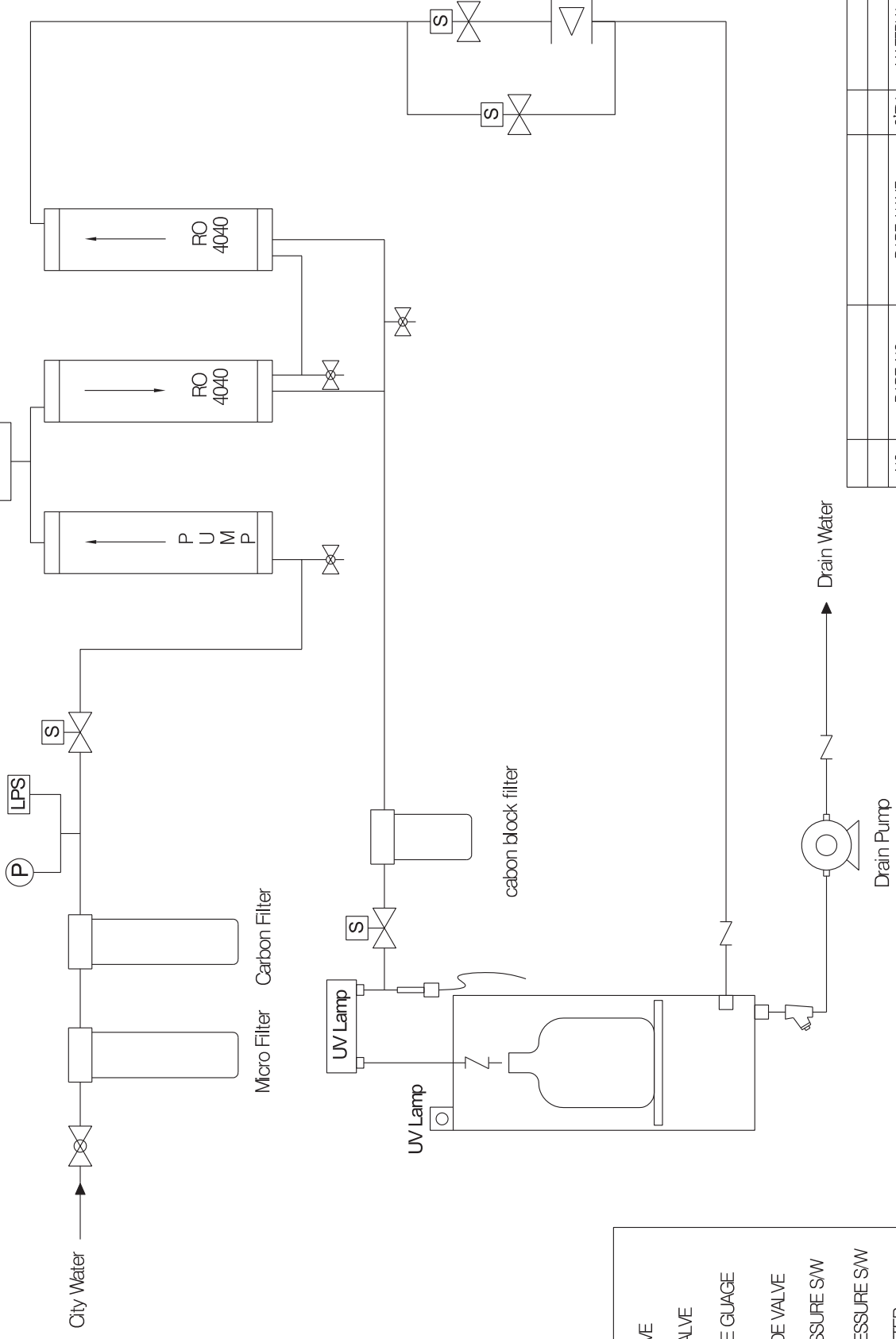


미니 밴딩머신 - Flow Chart

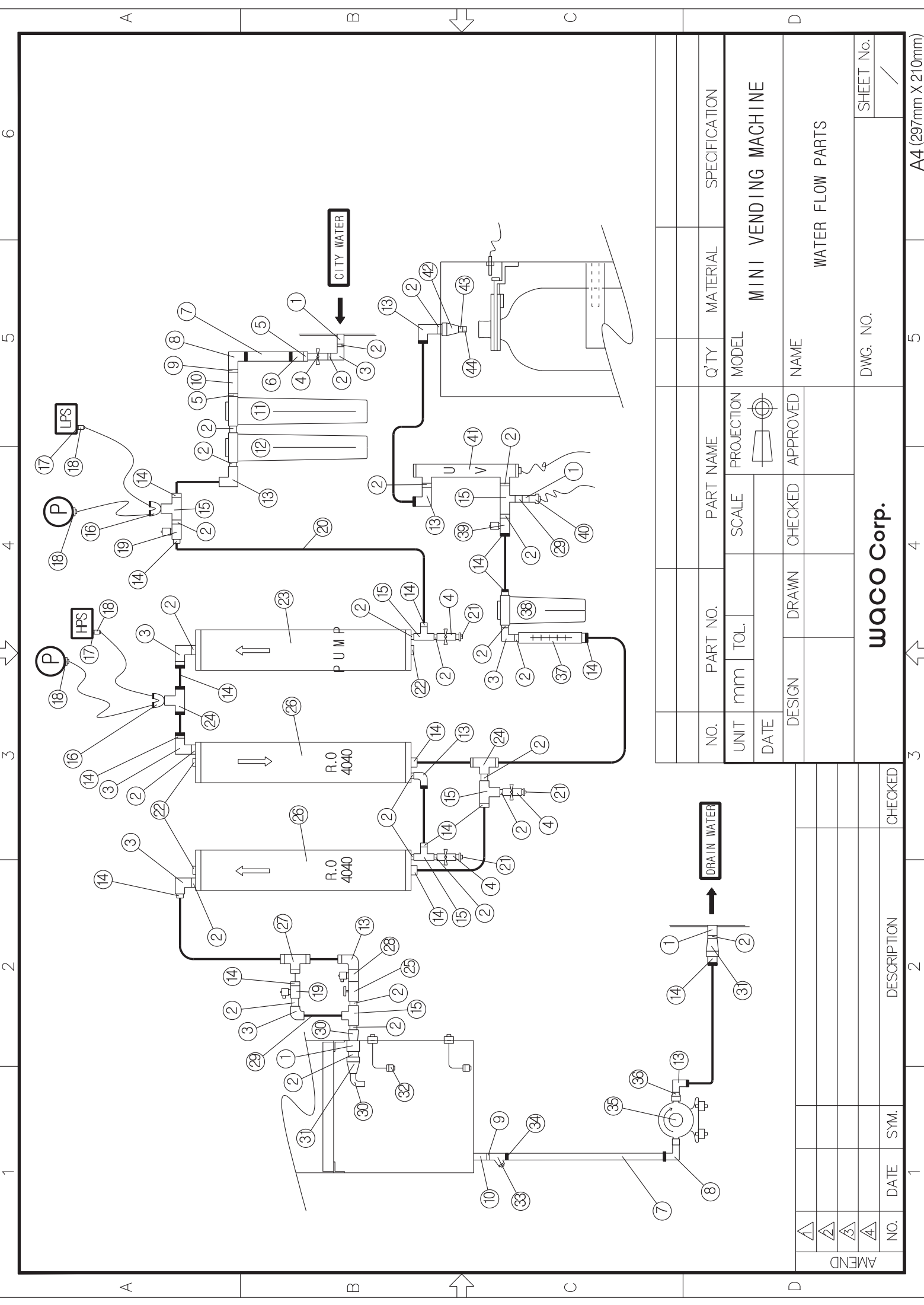


	BALL VALVE
	CHECK VALVE
	PRESSURE GAUGE
	SOLENOID VALVE
	LOW PRESSURE S/W
	HIGH PRESSURE S/W
	FLOW METER
	STRAINER
	NEEDLE VALVE
	TDS METER

NO.	DATE	SYM	DESCRIPTION	CHECKED
AMEND				

DIMENSIONAL TOLERANCE					
LEV.	0-10	11-20	21-40	41-100	100-ANGULAR
A	0.03	0.05	0.08	0.10	0.15
B	0.05	0.08	0.10	0.15	0.20
C	0.08	0.10	0.15	0.20	0.25
D	0.10	0.15	0.20	0.25	0.30

NO.	PART NO.	PART NAME	Q'TY	MATERIAL	SPECIFICATION
UNIT	TOL.	SCALE	PROJECTION	MODEL	
DATE	DESIGN	DRAWN	CHECKED	APPROVED	
<p style="text-align: center;">waco Corp.</p>					<p style="text-align: center;">Flow Chart</p>
DWG. NO.					SHEET No.
					/



1 2 3 4 5 6

A B C D

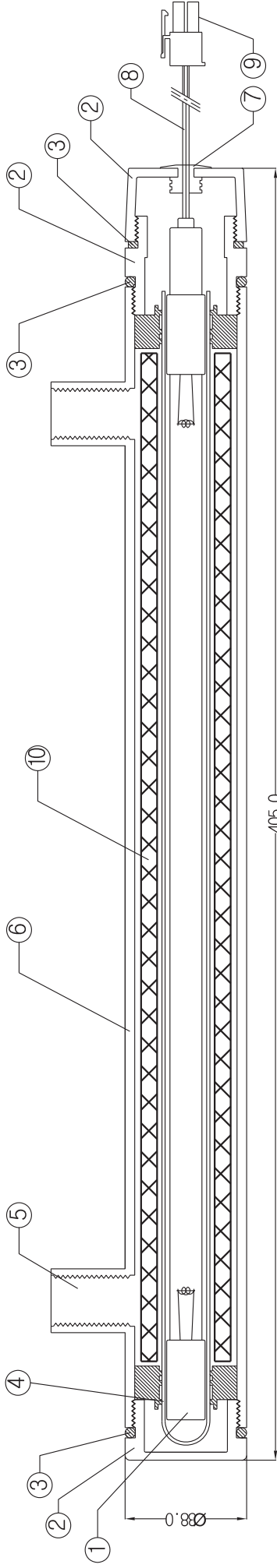
A B C D

NO.		PART NO.		PART NAME		Q'TY		MATERIAL		SPECIFICATION	
UNIT	m/m	TOL.	SCALE	PROJECTION	MODEL						
DATE											
DESIGN	DRAWN	CHECKED	APPROVED	NAME							
MINI VENDING MACHINE											
WATER FLOW PARTS											

AMEND		DESCRIPTION		CHECKED	
NO.	DATE	SYM.			

waco Corp.

DWG. NO. / SHEET No. / A4 (297mm X 210mm)



SPECIFICATION	
Electrical Supply	AC 220V
Electrical Frequency	60Hz
Lamp Wattage	16W
Lamp Current	0.350A
Lamp voltage	50V
UV Output	3.2W
UV Micro Watts(at 1cm ²)	9.452 μ m/cm ²
Spectral peak	253.7nm
Average Life	8000hrs

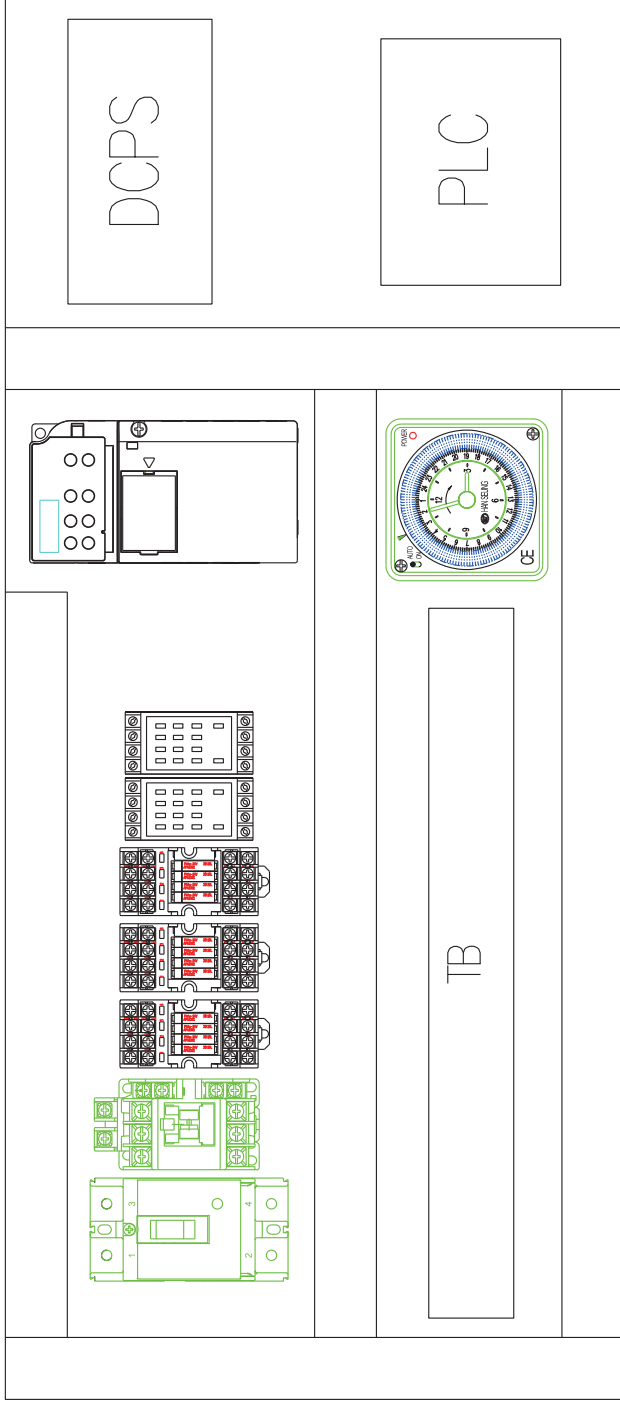
PARTS LIST		
NO.	PART	MATERIAL / REMARKS
1	UV LAMP (16W)	SANKYO-DENKI (G10T5)
2	COVER	PC-BLACK
3	O-Ring	SILICON
4	INNER TUBE	QUARTZ
5	SOCKET	STS-15A
6	HOUSING	STS 304
7	PACKING	SILICON
8	WIRE	600mm
9	TERMINAL	
10	PHOTO CATALYST	TiO2

NO.	PART NO.	PART NAME	Q'TY	MATERIAL	SPECIFICATION
UNIT	mm	TOL.	SCALE	PROJECTION	MODEL
DATE				APPROVED	NAME
DESIGN	DRAWN	CHECKED			
waco Corp.					
				DWG. NO.	SHEET No.

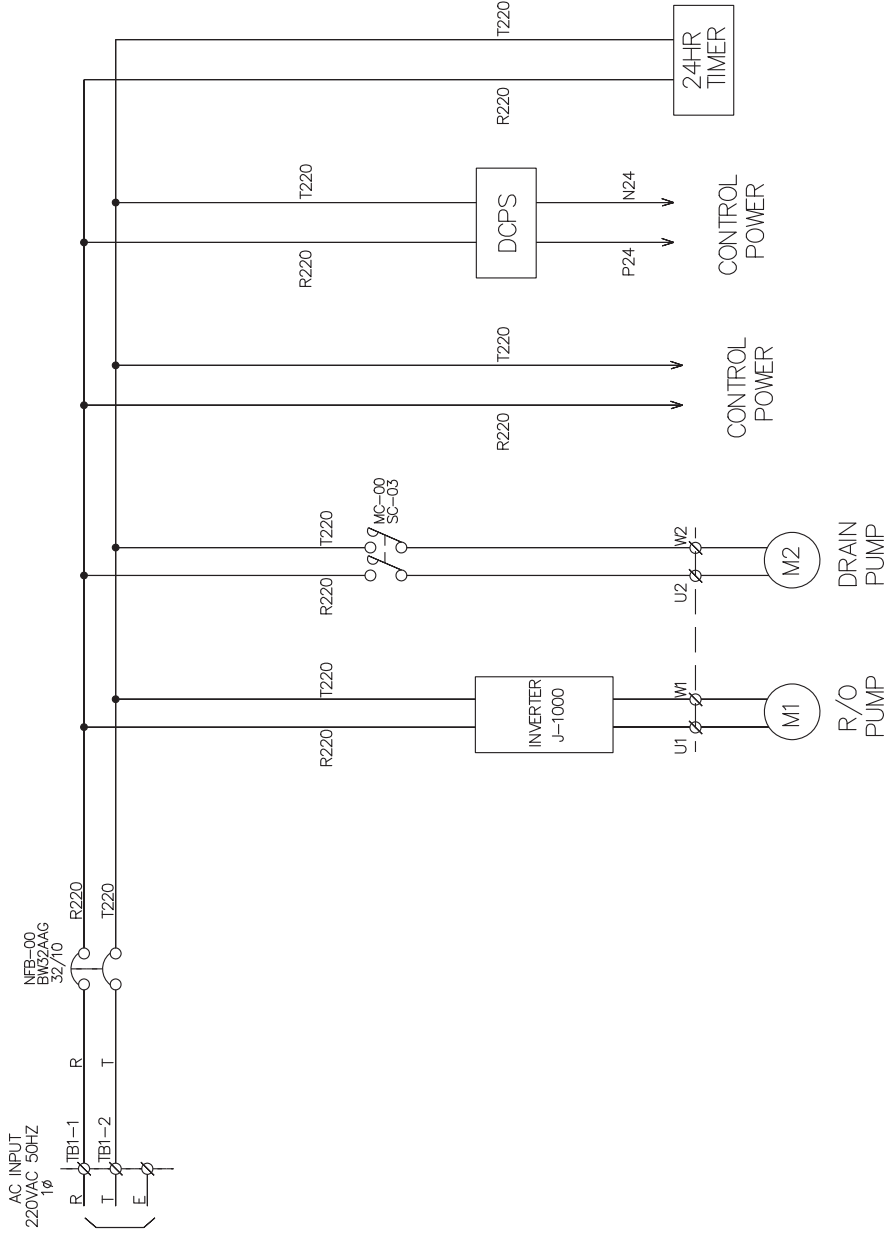
UV-1601 (16W)

UV-STERILIZER

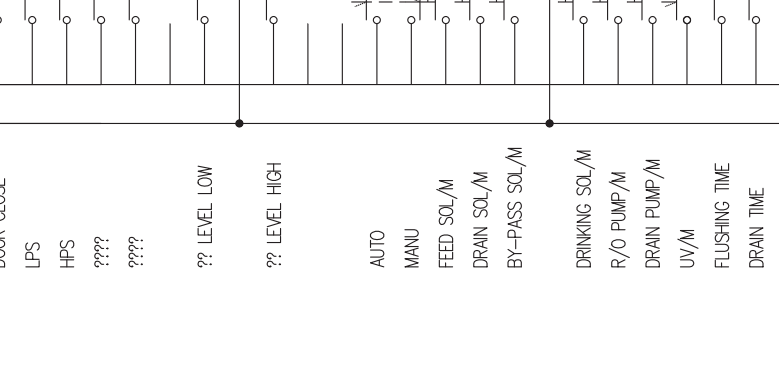
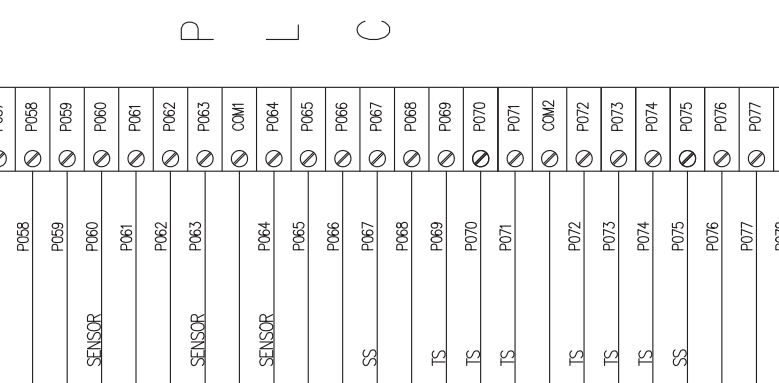
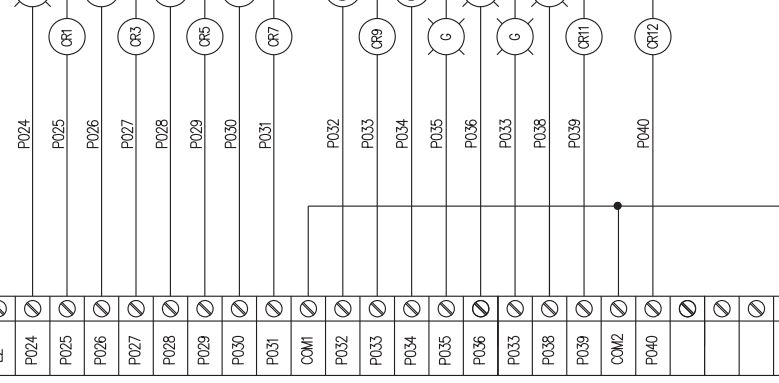
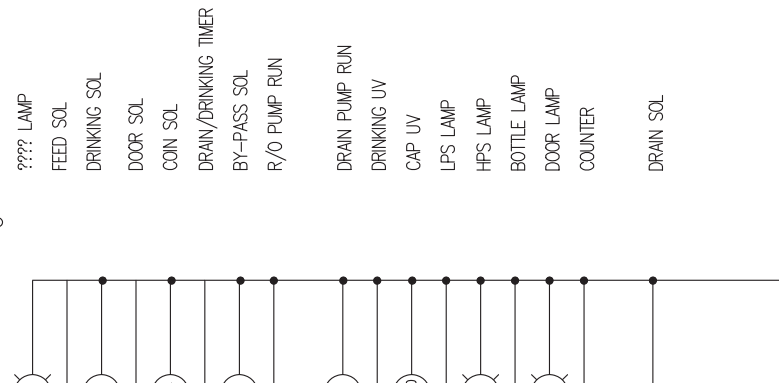
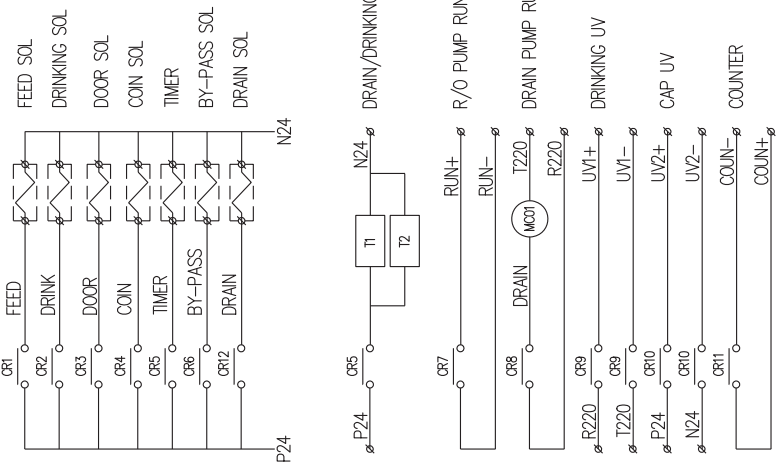
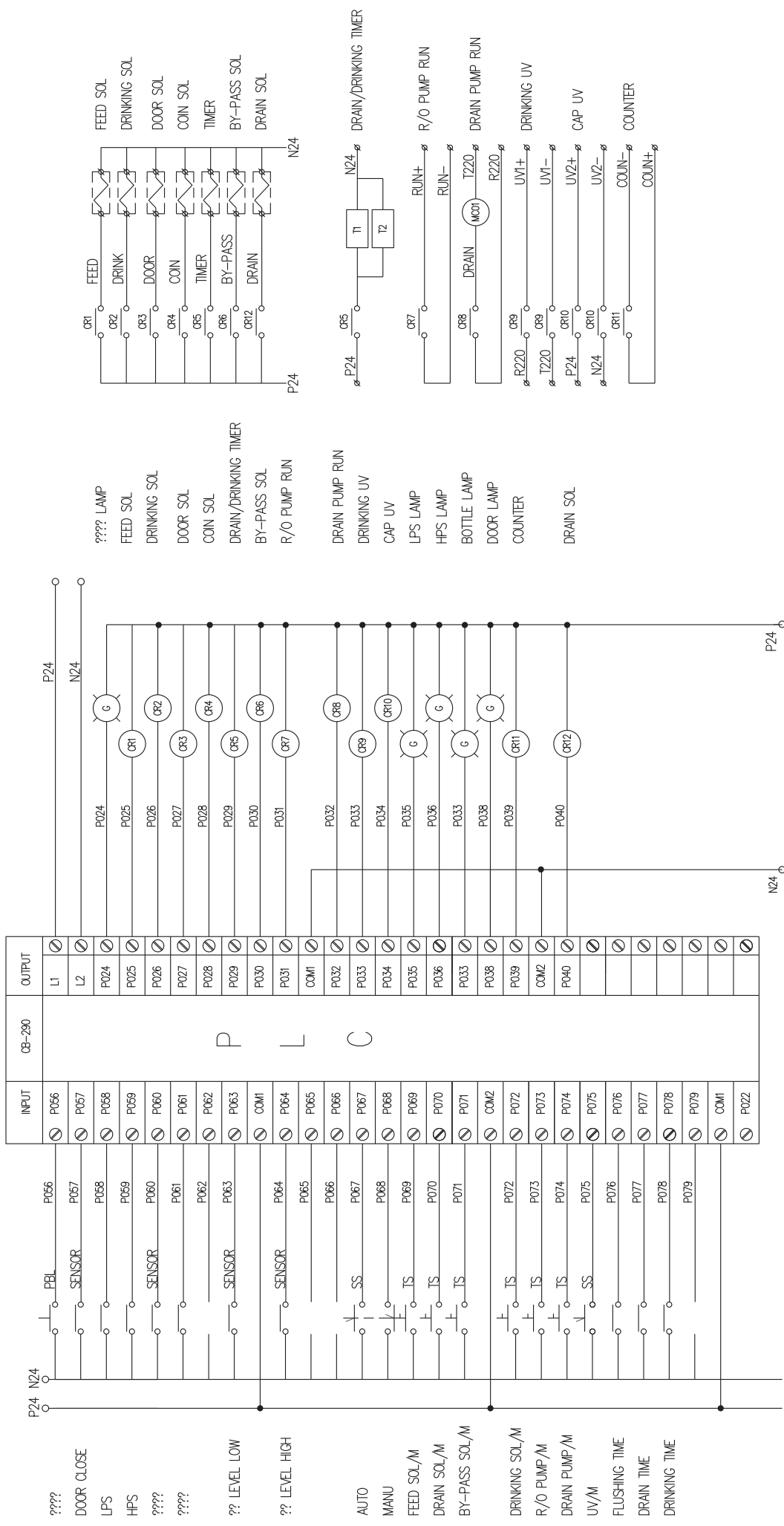
NO.	DATE	SYM.	DESCRIPTION	CHECKED



REV. NO	DESCRIPTION	DATE	REV. NO	DESCRIPTION	DATE	DRAWN BY	DESIGNED BY	CHECKED BY	APPROVED BY	SCALE	DRAWING NO.	MESSRS
										/ /		
REVISION										DATE	PROJECT NO.	PROJECT TITLE
												PLC INPUT&OUTPUT



REV. NO	DESCRIPTION	DATE	REV. NO	DESCRIPTION	DATE	DRAWN BY	DESIGNED BY	CHECKED BY	APPROVED BY	SCALE	DATE	DRAWING NO.	PROJECT NO.	MESSRS	PROJECT TITLE	DRAWING TITLE
REVISION										/ /						PLC INPUT&OUTPUT



REV. NO	DESCRIPTION	DATE	REV. NO	DESCRIPTION	DATE	DRAWN BY	DESIGNED BY	CHECKED BY	APPROVED BY	SCALE	DRAWING NO.	MESSRS
										/ /		PROJECT TITLE
										DATE	PROJECT NO.	DRAWING TITLE
												PLC INPUT&OUTPUT