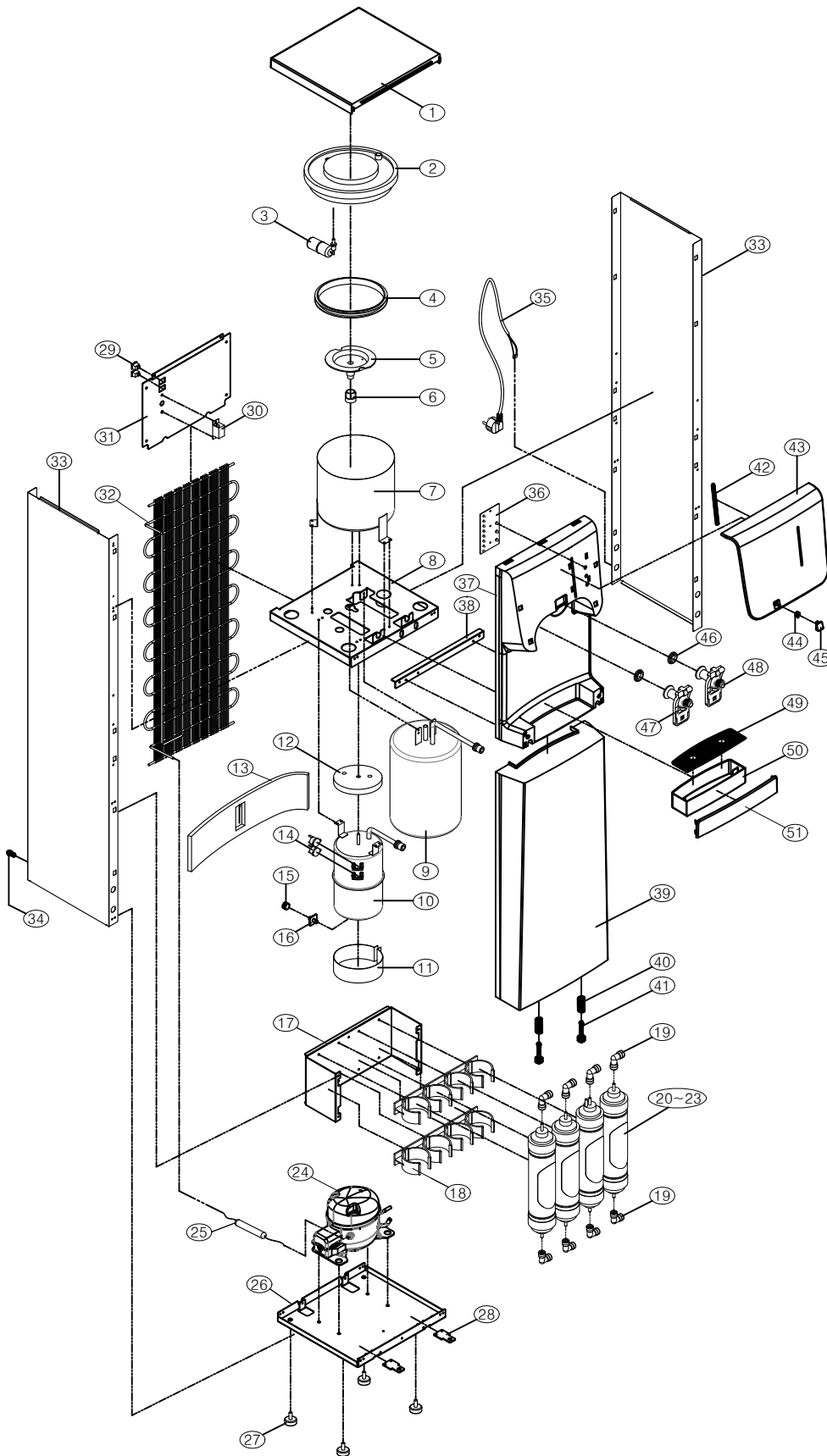


Hot & Cool Water Purifier infinite-40L



| NO | PART NAME | Q'TY |
|----|-------------------------------|------|
| 1 | Cover top large | 1 |
| 2 | Cold tank cover | 1 |
| 3 | Float | 1 |
| 4 | Ring packing | 1 |
| 5 | Separate panel | 1 |
| 6 | Separate panel nut | 1 |
| 7 | Water tank | 1 |
| 8 | Middle plate | 1 |
| 9 | Cold tank | 1 |
| 10 | Hot tank | 1 |
| 11 | Bend heater | 1 |
| 12 | Hot tank Lagging(S) | 1 |
| 13 | Hot tank lagging(L) | 1 |
| 14 | Bimetal | 2 |
| 15 | Drain valve cover | 1 |
| 16 | Drain valve | 1 |
| 17 | Bracket filter | 1 |
| 18 | Clip filter | 2 |
| 19 | L Fitting | 8 |
| 20 | Sediment filter | 1 |
| 21 | Pre carbon filter | 1 |
| 22 | UF membrane filter | 1 |
| 23 | Post carbon block filter(PCB) | 1 |
| 24 | Compressor | 1 |
| 25 | Dryer | 1 |
| 26 | Bottom plate | 1 |
| 27 | Control wheel | 4 |
| 28 | Locking bracket | 2 |
| 29 | Switch | 2 |
| 30 | Cold thermostat | 1 |
| 31 | Back plate | 1 |
| 32 | Wire condensor | 1 |
| 33 | Side frame | 2 |
| 34 | Bulk head | 1 |
| 35 | Cord AC power | 1 |
| 36 | PCB LED | 1 |
| 37 | Panel front upper | 1 |
| 38 | Panel bracket | 1 |
| 39 | Panel front under | 1 |
| 40 | Spring locking | 2 |
| 41 | Pin locking | 2 |
| 42 | Indicator | 1 |
| 43 | Cover front large | 1 |
| 44 | Spring button | 1 |
| 45 | Button push | 1 |
| 46 | Faucet O-ring | 2 |
| 47 | Faucet (Hot) | 1 |
| 48 | Faucet (Cold) | 1 |
| 49 | Grill water | 1 |
| 50 | Tray water | 1 |
| 51 | Cover front small | 1 |