

# WACO Corp. Electrical Bidet

## USER'S GUIDE

HDB-1500  
HDB-1300  
HDB-1100



Preparation

Installation

Operation

Maintenance  
& Cleaning



This user's guide contains the product warranty certificate.

Be sure to read this user's guide carefully before use.

■ 220V ~ 240V, 50Hz 

WACO Corp.

A-301, HAGYE-TECHNOTOWN, 10, NOWON-RO 15-GIL,  
NOWON-GU, SEOUL, KOREA  
TEL:82-2-948-0657 / FAX:82-2-948-2342  
www.waco.co.kr

# WACO Corp.

**THIS UNIT WAS MANUFACTURED FOR HOUSEHOLD USE ONLY.  
READ ALL OPERATING INSTRUCTIONS BEFORE INSTALLATION.**

## Notes


1. This product should be installed according to this manual.
2. Please read this manual carefully and install properly.
3. Please save this manual and place an easily accessible location.
4. Do not attempt to service this appliance yourself. Doing so could void warranty.


# CONTENTS

1. Safety Instruction .....	4
2. Product Characteristic .....	8
3. Identification .....	9
4. Installation .....	11
5. Trial Operation .....	13
6. Disassembly of Product .....	14
7. How to Use the Product .....	16
8. User setting facilities .....	20
9. Maintenance & Cleaning .....	22
10. Before requesting repair .....	24
11. Product Specifications .....	25
12. Comparison Chart .....	26
13. Memo .....	27
14. Warranty Information .....	31

# 01. Safety Instruction


## ● Each symbol refers to the followings:


 **Warning** Risk of death or lethal damage when violating the instructions

 **Caution** Risk of injury or material damage when violating the instructions


## ● Each pictorial indication means the followings:


 means prohibition

 Disassembly is not allowed

 Don't touch with wet hand

 Use of fire prohibited

 Don't spray water

 General prohibition

 means obligation

 Obligatory Instruction

 Grounding Connection

## Warning

Disassembly, modification or repair is not allowed.

▶ Risk of electric shock or fire.



Don't plug or touch the power cord with wet hands.

▶ Risk of electric shock.



Don't spray water on the main body of product or power plug.

▶ Risk of electric shock or fire.



Don't use the damaged power cord or outlet.

▶ Risk of electric shock or fire.



## Warning

Don't fail to do grounding.

- ▶ Always use the outlet that encloses the earth electrode (Earth terminal mounting outlet-check if there is earth or not).
- ▶ In case there is no earth electrode, do grounding separately.
- ▶ When it is not grounded, it causes the failure and electric shock.



Insert the power plug correctly in 220~240V exclusive outlet.

▶ Risk of heat or fire.

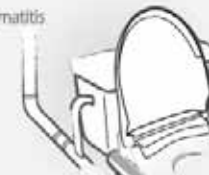


Don't locate the cigarette or flammable materials near the product ; Don't throw the cigarette into the product.



Don't connect the product to the water pipe of industrial use.

▶ Risk of causing dermatitis of user.



Don't connect power to the product before its complete installation on the toilet.



When the power cord or plug is damaged, always inform the service center, and replace if required.



Don't block the hot air hole nor put any object or hand on the hole.

▶ Risk of burn or electric shock. (HD9-1300, 1500 only)



When removing the product from toilet, always release the power plug first.

▶ Risk of electric shock.



# 01. Safety Instruction

## ⚠ Caution

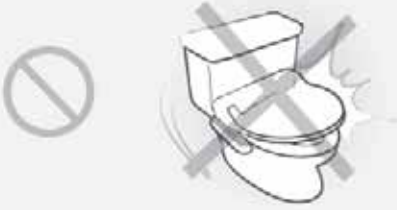
Don't stand on the product ; don't put heavy object on it.

▶ Risk of injury or damage to the product.



Don't force to close the cover of toilet.

▶ Risk of failure.



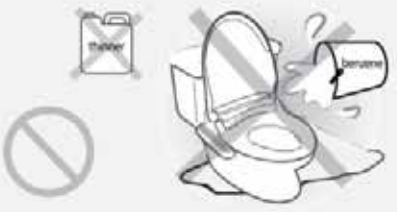
Don't force to lean against the cover of toilet.

▶ Risk of failure.



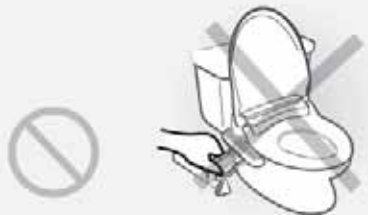
When cleaning, don't use toilet-use detergent, benzene, thinner, etc.

▶ Risk of damage to the product or crack.



Don't bend the connecting hose ; don't force to pull it out.

▶ It may cause stoppage of water supply or leakage.



Be cautious low temperature burn.

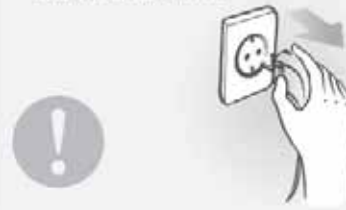
▶ When the skin has been in contact with a seat for a long time, it may cause low temperature burn. The seat temperature should be set on Low or off when the unit is used for children, elderly persons, persons who cannot control the temperature by themselves.



## ⚠ Caution

When the product is not used an extended period of time, remove the power plug and drain the water out of the product tank.

▶ It may cause the water rotten and result the skin disease.



Don't use with the product out of order.

▶ When it is out of order, remove the plug from the outlet and inform the service center.

▶ Otherwise, it may cause fire or electric shock.



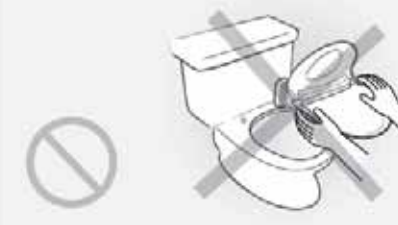
When installing, push it in until it sounds 'Click'.

▶ It may cause water leakage or mal-operation.



Don't place the removed product upside down.

▶ Risk of the product failure.





## 02. Product Characteristic

WQCO Corp. bidet has the following characteristics:

### ● Continuous Warm Water Supply

Enjoy continuous warm water throughout the wash cycle.



### ● Enema Wash

Soft but powerful water wash for added cleansing benefit.



### ● Bubble Wash

Aerated water wash adds cleaning comfort.



### ● Massage

Nozzle moves back and forth for massage effect.



### ● Pulse

Pulsating wash repeatedly cycles from weak to strong.



### ● Deodorization Function (HDB-1500 Model Only)

Semi-fundamental deodorizing filter provides odor-free during use.



### ● Energy Saving Function

It finds out the time frame when used frequently, realizing the maximum energy saving effect.



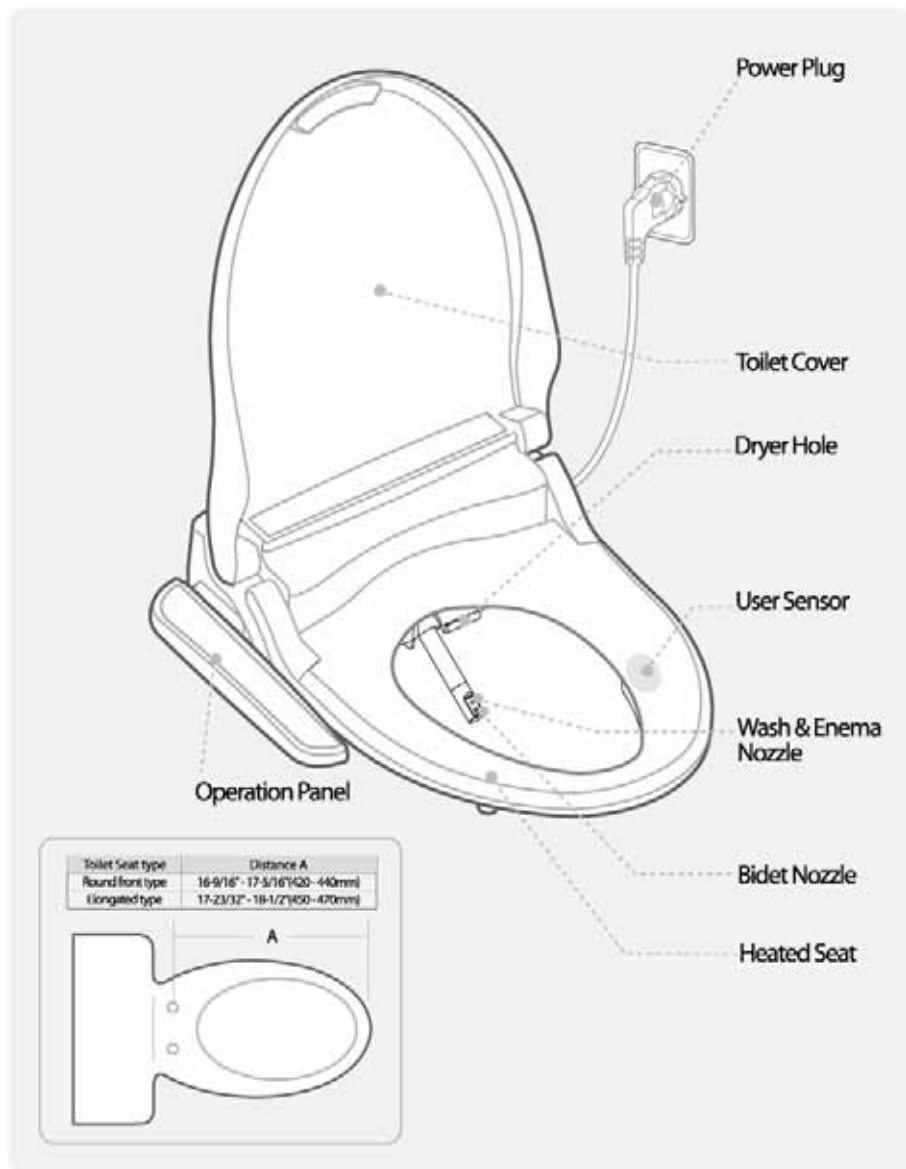
### ● Child Settings

Specialized nozzle position and water pressure for children.



## 03. Identification

### Main Body



# 03. Designation of Each Component

## Operation Panel

**STOP**  
To stop all functions (If you keep to press "STOP" in 3sec. can be Power-Off)

**BIDET**  
To run the bidet function (2 minutes)

**PULSE**  
To run the PULSE function on the mode of Wash / Bidet / ENEMA WASH. The water pressure make to be the repeated cycle strong / weak

**CHILD**  
Children safety mode. Nozzle moves to forward and water pressure is weak. However, Not to run on the "ENEMA WASH" function

**FR/BK**  
Controls the nozzle location as desired

**SEAT TEMP**  
To adjust the seat temp. by 3 steps (34°C/38°C/42°C)

**WASH**  
To run the wash function (2 minutes)

**ENEMA WASH**  
To run the ENEMA WASH function (2 minutes). It will not operate in CHILD mode

**MASSAGE**  
To run the MASSAGE function on the mode of Wash / Bidet. However, Not to run on the "ENEMA WASH" function. Nozzle is moving forward and backward repeatedly

**DRY**  
To run the dry function (3 minutes) (HDB-1300, 1500 only)

**HI/LO**  
Adjusting water pressure dry level in 5 steps

**WATER TEMP**  
To adjust the water temp. by 3 steps (34°C/36°C/38°C)

**ENERGY SAVING**  
1 step: Automatic mode  
2 step: Learning energy saving  
3 step: Cancel the Energy saving function

**MASSAGE CONTROL**  
Massage width can be adjusted during massage operation (HDB-1100 only). Massage control can be used with CHILD button in HDB-1300/1500

**Children temp on-and-off function**

## Accessories

**Bolts**

**Nuts**

**Washers**

**Cone packings**

**Bracket Holders**

**Bracket**

**Spare nut**

**Rubber washer (for Spare nut)**

**Filter**

**T-Valve**

**Water Feed Hose (for Toilet)**

**Water Feed Hose (for Bidet)**

**Deodorizing Cartridge (HDB-1500 Only)**

⊗ Optional

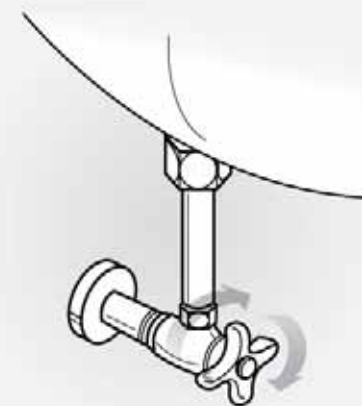
# 04. Installation

## Order of Installation

- 1 Remove the seat from the existing toilet body.
  - ▶ Release the nuts, and then remove the seat and cover from it.
  - ▶ Keep the removed seat, cover and nuts well in a proper place.



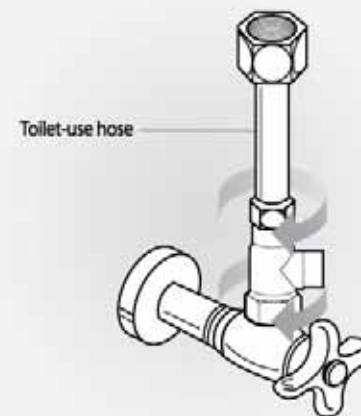
- 2 Close the water feed valve by turning it clockwise, and then drain the toilet water tank out.



- 3 Remove the water feed pipe and then install T-valve.
  - ▶ Keep the removed water feed pipe well in a proper place. It may be useful when moving house to other place later.

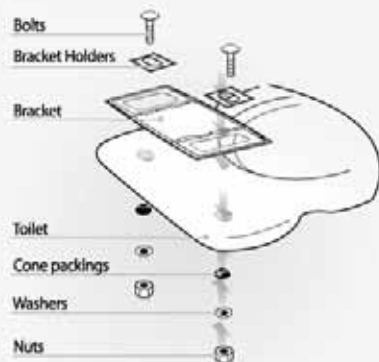


- 4 Connect the toilet-use hose.



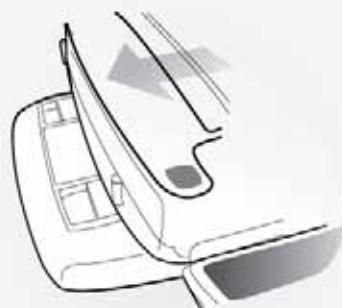
# 04. Installation

**5** Fix the bracket onto the toilet first.



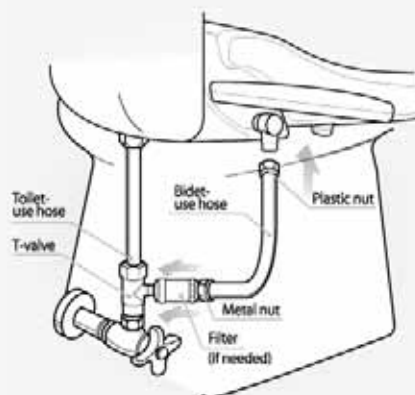
▶ Adjust the seat and the front part of toilet back and forth so that they can correspond with before fastening the nuts.

**6** Push the main body toward the bracket completely.

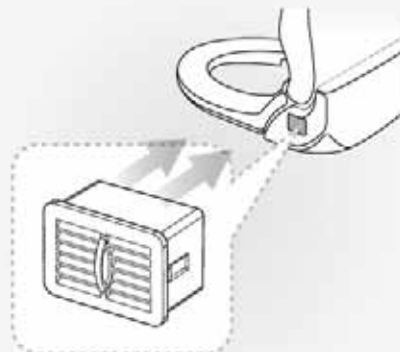


▶ Push it in until it sounds 'click'.  
▶ When the product is not installed well, it may cause leakage.

**7** After installing the filter onto the T-valve, connect the bidet-use hose to the bidet body.



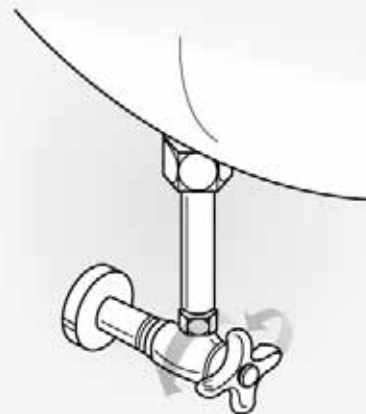
**8** Insert the deodorizing cartridge into the bidet body. (H08 -1500 model only)



# 05. Trial Operation

## Order of Trial Operation

**1** Open the water feed valve by turning it anti-clockwise.



**2** Be sure of no leakage around the hose connection.

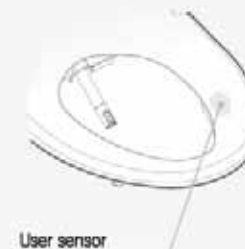


**3** Be sure that logo light on the top turns on and nozzle comes and retracts when powered on.

▶ Don't plug the power cord with wet hands. Risk of electric shock.



**4** Put the hand on the user sensor part of the seat, check if lights of water pressure gradually turns on, and water comes out from drain hole for 1~2 seconds.





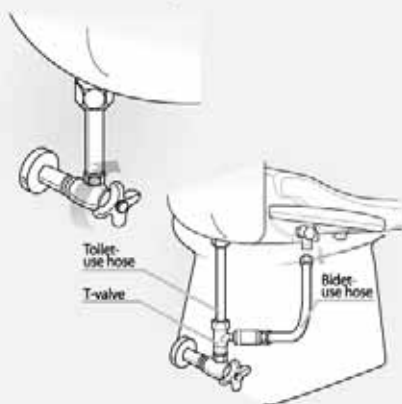
# 06. Disassembly of Product

## Order of Disassembly

- 1 Remove the power plug from the outlet.



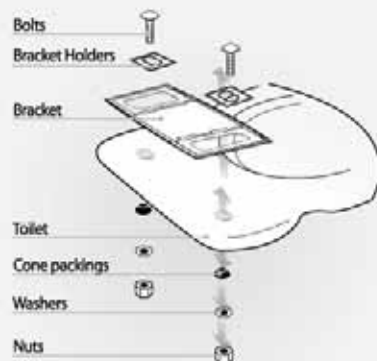
- 2 Close the water feed valve by turning it clockwise, completely drain out the toilet water tank, release the nuts at bidet body of the bidet hose, and then remove them from main body.



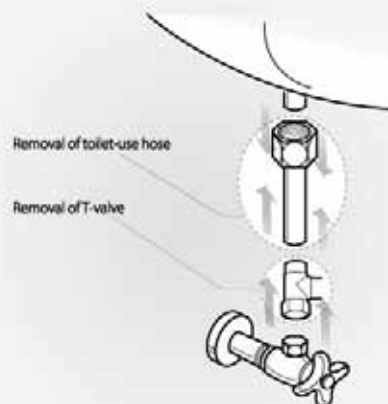
- 3 Press the button on the side of bidet, completely drain the water from the water tank. After drain the water thoroughly, pull the main body forward, and then remove it from the toilet.



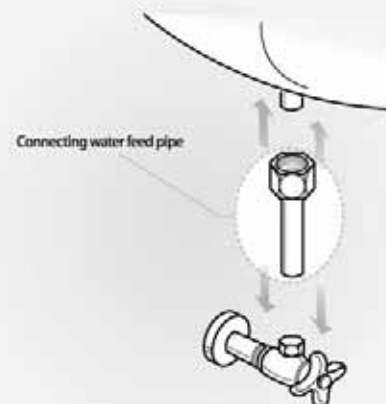
- 4 Release the nuts, and then remove the brackets from the toilet.



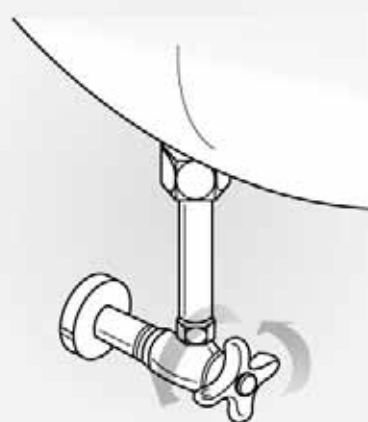
- 5 Remove bidet hose, toilet-use hose and T-valve.



- 6 Connect the water feed pipe that was removed when the bidet was installed.



- 7 Open the water feed valve by turning it anti-clockwise. Be sure of no leakage around the water feed connection.



- 8 Attach to the toilet the seat and cover that were removed when the bidet was installed.



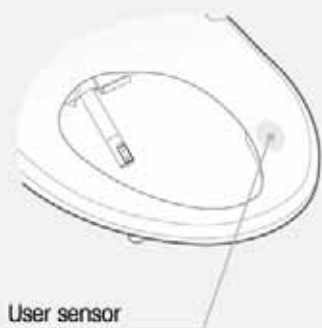


# 07. How to Use the Product

## Basic Operation Method

### 1 Sit on the toilet seat.

- ▶ Be sure to sit on the user sensor of seat.  
If the sensor is not occupied, functions will not work.  
Deodorizing function starts automatically (HD8-1500 only)



### 2 Press WASH, BIDET, ENEMA WASH buttons.

- ▶ Selected function can be used as desired.  
(When selecting Enema Wash function, MASSAGE function cannot be used.)  
(When selecting Child function, Enema Wash function may not operate)
- ▶ WACO's Specialized water spray in Enema Wash function enters into the rectum, and then help relieve constipation and fecal stasis.
- ▶ After wash/bidet wash, automatically dryer works. (Automatic dry)



### 3 Temperature of dry lamp will

- ▶ Hot air indicator lamp will lights on. (5 steps available)
- ▶ Dryer works for three (3) minutes.
- ▶ Drying effect will be improved if you wipe out the moisture lightly before operating the drying function. (HD8-1300/1500 model only)



### 4 Press the STOP Button.

- ▶ Any operation will stop.



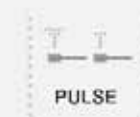
### 5 MASSAGE Wash

- ▶ When pressing the MASSAGE button during the operation of WASH and BIDET, nozzle location will be changed back and forth to wash the wider range.
- ▶ When pressing the CHILD button during the operation of MASSAGE, the moving distance can be adjusted within 5 steps.
- ▶ MASSAGE function will not operate during the operation of ENEMA WASH.
- ▶ In case of HD8-1100, moving distance can be controlled by pressing MASSAGE CONTROL.



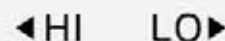
### 6 PULSE Wash

- ▶ When pressing PULSE button during the operation of WASH, BIDET and ENEMA WASH, water pressure will repeat HIGH/LOW level for smooth pulsating wash.



### 7 Water Pressure Control

- ▶ Pressing HIGH/LOW button enable the control of water pressure.
- ▶ When any foreign material blocks the water filter, it may cause the low water pressure. Regularly check it if for its stable use.



### 8 Nozzle Position Control

- ▶ Nozzle position can be controlled by pressing FR/BK.



# 07. How to Use the Product

## Basic Operation Method

### 9 CHILD Function

- ▶ When used by a child, press the CHILD button first (CHILD function lamp behind the operation panel will light on), use the WASH and BIDET function, and then nozzle will move forward and the water pressure will be weakened.
- ▶ Nozzle position and water pressure can be adjusted within 5 steps as desired.
- ▶ When selecting CHILD function, control range of seat temperature will be dropped to the room temperature, 34°C/36°C/38°C.
- ▶ Enema Wash function will not operate during the operation of CHILD function.



### 10 Seat Temperature Control

- ▶ When pressing the SEAT TEMP. CONTROL button, the temperature of seat can be controlled within the range of room temperature, 34°C/38°C/42°C.
- ▶ If the seat temperature reaches 34°C or more, the seat temperature indicator turns in RED. If not (under 33°C), it remains in BLUE.



### 11 WATER TEMP CONTROL

- ▶ When pressing the WATER TEMP. CONTROL button, the temperature of water can be controlled within the range of room temperature, 34°C/36°C/38°C.

WATER  
TEMP.

### 12 ENERGY SAVING Function

- ▶ Automatic Energy Saving Function
  - # When pressing the button once, it enters into automatic energy saving mode. (Yellow LED lamp lights on)
  - # Seat temperature will be kept at 32°C.
  - # When sitting on the seat to use bidet, it turns to the pre-designated temperature; When getting out of the seat, it returns to the automatic energy saving mode.
- ▶ Learning Energy Saving Function
  - # When pressing the button twice, it enters into the learning energy saving mode. (Green LED lamp lights on)
  - # Learning energy saving enables MICOM to detect the time frame used by the users. It release the energy saving function at the higher-frequency time frame to set the temperature of seat at the pre-designated level, while setting it at 32°C when the using frequency is lower, enabling the excellent energy saving effect.
  - # When using it at the lower frequency time frame, the preset temperature will increase during the time the user sits on the seat.
  - ▶ When pressing the button three times, the energy saving mode will be released.
- ★ This product adopts the rapid water-heating method, and therefore doesn't consume the unnecessary power to operate the heater for the purpose of keeping the water temperature, it means its power consumption is far less than the bidet of other suppliers.

### 13 Deodorizing function (HD8-1500 model only)

- ▶ When sitting on the seat, automatically the deodorizing function starts.
- ▶ Deodorizing function can be controlled by the following methods.
  - # While holding the STOP button, when pressing the hot water button once, deodorizing fan will rotate at slow speed during and even after the usage of bidet.
  - # While holding the STOP button, when pressing the hot water button twice, deodorizing fan will rotate at slow speed during the usage of bidet, and at high speed when getting out of the seat.
  - # While holding the STOP button, when pressing the hot water button three times, deodorizing fan will rotate at high speed during and even after the usage of bidet.
- ▶ After the usage of bidet, the deodorizing function will operate for one (1) minute.

### 14 Nozzle Cleaning

- ▶ While not sitting on the seat, and pressing the Wash button three seconds, the nozzle will move forward at its maximum distance so that the user can clean it easily. (It will return after 2 minutes)
- ▶ When pressing STOP button, the nozzle will return and operate self-cleaning operation.



## User Instructions

- Instructions and caution statements for cleaning, user maintenance, operations recommended by the manufacturer, such as lubrication or nonlubrication, and a warning to the user that any other servicing should be performed by an authorized service representative or that the product has no user serviceable parts. The manual or other literature packaged with the product shall also indicate the product is for household use.
- Specific instructions for the proper method of cord storage, total product storage, and the like when the product is not in use; and for cord care while in use, such as for hand supported products, untwisting, and the like.



- After enema wash, eliminate the water from your rectum completely.
- If the concentrated water stream is not pointing at the center of posterior, it may bring some pain or water splashes abnormally.
- If the anal disease patient uses enema function, it may bring some pain or bleeding for the first several times.
- Excessive use of enema wash may aggravate constipation.

# 08. User setting facilities

● : Seat Switch 'Off' Status   ○ : Seat Switch 'On' Status   ● : Regardless of On/Off

No	Function	Seat Status	Switch Operation	Description	Initial Status																														
1	Automatic Massage Preset/Release	○	Press MESSAGE button for 3 sec. or longer while in standby status (Same in case of releasing)	When pressing WASH, BIDET button, MESSAGE will operate automatically even if not pressing the MESSAGE button	CANCEL																														
2	Automatic Pulse Preset/Release	○	Press PULSE button for 3 sec. or longer while in standby status (Same in case of release)	When pressing WASH, BIDET, ENEMA WASH button, PULSE will operate automatically even if not pressing the PULSE button.	CANCEL																														
3	Operating Signal Cancel	●	Press MESSAGE for 3 sec.	Use when turning off the operating signal	Operating Signal is turned on																														
4	Selecting the operating time of WASH, (BIDET, ENEMA WASH) and DRY	●	Press 'Backward' and 'Low' buttons for longer than 3 sec. Preset Mode: Selecting the desired time by the buttons of High/Low, Forward/Backward.	<ul style="list-style-type: none"> <li>Using High/Low button, select the desired washing time.</li> </ul> <table border="1"> <tr> <td colspan="2">High</td> <td colspan="3">Low</td> </tr> <tr> <td>○</td><td>○</td><td>○</td><td>○</td><td>○</td> </tr> <tr> <td>5M</td><td>3M</td><td>2M</td><td>1M</td><td>30S</td> </tr> </table> <ul style="list-style-type: none"> <li>Using Forward/Backward button, select the desired drying time</li> </ul> <table border="1"> <tr> <td colspan="2">Forward</td> <td colspan="3">Backward</td> </tr> <tr> <td>○</td><td>○</td><td>○</td><td>○</td><td>○</td> </tr> <tr> <td>5M</td><td>4M</td><td>3M</td><td>2M</td><td>1M</td> </tr> </table>	High		Low			○	○	○	○	○	5M	3M	2M	1M	30S	Forward		Backward			○	○	○	○	○	5M	4M	3M	2M	1M	Washing 2 Min. Drying 3 Min.
High		Low																																	
○	○	○	○	○																															
5M	3M	2M	1M	30S																															
Forward		Backward																																	
○	○	○	○	○																															
5M	4M	3M	2M	1M																															

Tip. If washing time is set at 3 minutes or longer, sitz bathing will be possible.

5	Selecting the speed of deodorizing fan:	●	While pressing the STOP button, press the Water Temp button	Press the Water Temp button to select the desired speed. <table border="1"> <tr> <th colspan="3">Water Temp (LED)</th> <th colspan="2">Speed of Deodorizing Fan</th> </tr> <tr> <td>○</td><td>○</td><td>○</td> <td>Seated</td><td>Unseated</td> </tr> <tr> <td>OFF</td><td>OFF</td><td>OFF</td> <td>OFF</td><td>OFF</td> </tr> <tr> <td>OFF</td><td>OFF</td><td>ON</td> <td>Low speed</td><td>Low speed</td> </tr> <tr> <td>OFF</td><td>ON</td><td>ON</td> <td>Low speed</td><td>High speed</td> </tr> <tr> <td>ON</td><td>ON</td><td>ON</td> <td>High speed</td><td>High speed</td> </tr> </table>	Water Temp (LED)			Speed of Deodorizing Fan		○	○	○	Seated	Unseated	OFF	OFF	OFF	OFF	OFF	OFF	OFF	ON	Low speed	Low speed	OFF	ON	ON	Low speed	High speed	ON	ON	ON	High speed	High speed	High speed while seated, High speed while unseated.
Water Temp (LED)			Speed of Deodorizing Fan																																
○	○	○	Seated	Unseated																															
OFF	OFF	OFF	OFF	OFF																															
OFF	OFF	ON	Low speed	Low speed																															
OFF	ON	ON	Low speed	High speed																															
ON	ON	ON	High speed	High speed																															

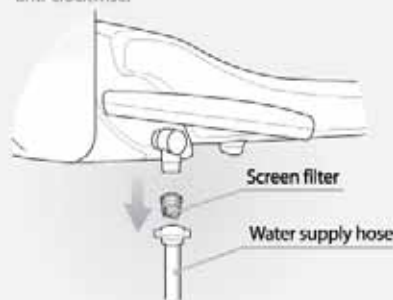
No	Function	Seat Status	Switch Operation	Description	Initial Status
6	Saving the washing water pressure /nozzle position	○	Pressing WASH button for 3 sec. during the operation of WASH	Saving the present operating condition. Even if other user uses the different pressure and position, when he gets out of the seat, it will automatically return to preset level.	Water pressure 3 steps Nozzle 3 steps.
7	Saving the bidet water pressure and nozzle position	○	Pressing BIDET button for 3 sec during the operation of BIDET	Saving the present operating condition. Even if other user uses the different pressure and position, when he gets out of the seat, it will automatically return to preset level.	Water pressure 3 steps Nozzle 3 steps.
8	Saving the Enema Wash water pressure and nozzle position	○	Pressing Enema Wash button for 3 sec during the operation of Enema Wash	Saving the present operating condition. Even if other user uses the different pressure and position, when he gets out of the seat, it will automatically return to preset level.	Water pressure 3 steps Nozzle 3 steps.
9	Initialization	●	Press STOP button for 5 sec.	Initializing all the functions to the initial status.	

waco Corp.

# 09. Maintenance & Cleaning

## Cleaning of Water pipe filter

- 1 Close the water feed valve by turning it clockwise.
- 2 Disconnect the water supply hose. Take the screen filter out and clean it with soft brush. (e.g. toothbrush)
- 3 After cleaning, place it back. Then connect the water supply hose.
- 4 Open the water feed valve by turning it anti-clockwise.



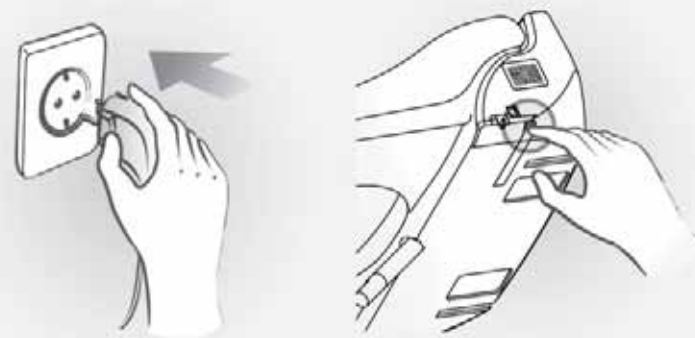
## Cleaning of Nozzle

- 1 Press the WASH button for 3 seconds, and then the nozzle will move forward and stop (for 2 minutes)
- 2 Clean the nozzle with a unused toothbrush, etc., and press the STOP button, then it will return to the original place for self cleaning.



## Maintenance during winter season (for freeze protection)

When bidet seat is not used for an extended period of time, either:  
Leave unit plugged in and turned on **OR** Unplugged and drain the unit.



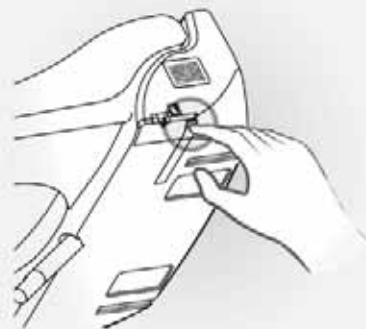
## Cleaning of Bidet Body

- 1 Exterior surface of bidet is made of plastic material, which may be damaged by scrubber, chemicals, etc.
- 2 Wipe the surface with a soft cloth wet and squeezed completely. Don't spray water directly onto the surface with the bath-use shower device.
- 3 Clean the body after removing the power plug from the outlet. Be sure no water splash to the power plug or outlet.
- 4 Don't touch the power outlet with wet hand. Risk of electric shock.



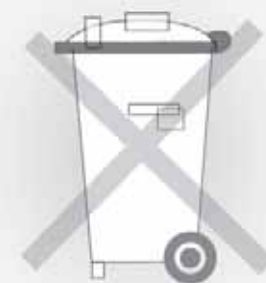
## Drainage of Hot Water Tank

- 1 Remove the power plug from the outlet.
- 2 Close the water feed valve by turning it anti-clockwise.
- 3 Press the button on the side of main body.



## Do not throw away

We are committed to protection the environment.  
Please help us by disposing of this product in a responsible way when it reaches the end of its service life, to prevent certain substances contained in electric and electronic products from harming public health or the environment. The symbol means that the products must not be thrown away with other household waste: at the end of its service life, it must be taken at no charge to you to the waste-collection centers provided for the purpose by the authorities in your country.  
Or to be distributor from whom you purchase a new product that is equivalent to or that performs the same functions as this product. This latter option may not be available in some countries.





# 10. Before requesting repair

※ Please check the following points before requesting the repair of the product.

Signs to occur	Matters to be checked
Completely out of operation	<ul style="list-style-type: none"> <li>• Check if the power plug is not connected.</li> <li>• Check the power failure.</li> </ul>
Water does not spray out	<ul style="list-style-type: none"> <li>• Check if the water supply is suspended.</li> <li>• Check if water feed valve is locked</li> <li>• Check if nozzle is blocked by foreign material</li> <li>• Check if connection hose is bent</li> </ul>
Water pressure is low	<ul style="list-style-type: none"> <li>• Check if water pipe filter is blocked by foreign material.</li> <li>• Check if the water pressure is set at too low level</li> </ul>
Water is not warm enough	<ul style="list-style-type: none"> <li>• Check if its temperature is set at 'Off' or 'Low'.</li> </ul>
Seat is not warm enough	<ul style="list-style-type: none"> <li>• Check if its temperature is set at 'Off' or 'Low'</li> </ul>
Enema Wash is not operated	<ul style="list-style-type: none"> <li>• Check if it is set at CHILD mode.</li> </ul>

## Self-Diagnosis Table

※ When any abnormal phenomenon occurs, please refer to the following table, and inform the exact status at the time of requesting A/S service. It may relieve our countermeasure.

No	Self-Diagnosis Phenomenon	Way of Indication
1	Inlet hot water sensor disconnected or not inserted	LED Hot Water Temp. Med & Low blinked simultaneously
2	Inlet hot water sensor short-circuited and temperature excessively increased.	LED Hot Water Temp. Med & High blinked simultaneously
3	Outlet hot water sensor disconnected or not inserted	LED Hot Water Temp. Med & Low blinked separately
4	Outlet hot water sensor short-circuited and temperature excessively increased.	LED Hot Water Temp. Med & High blinked separately
5	Seat sensor disconnected or not inserted	LED seat temperature Low blinked
6	Seat sensor short-circuited and temperature excessively increased	LED seat temperature High blinked
7	Pump motor disconnected or not inserted	WASH, BIDET, ENEMA WASH are out of operation
8	Pump motor short-circuited	
9	Deodorizing motor: Check the cycle of rotation at low speed	Buzzer sounds. Abnormal condition is differently indicated by symptoms
10	Stoppage of motor due to the over-current of deodorization motor	
11	Heat stops in case of low speed rotation of drying motor	
12	Heater and drying motor simultaneously stop in case of the over-current of drying motor.	

# 11. Product Specifications

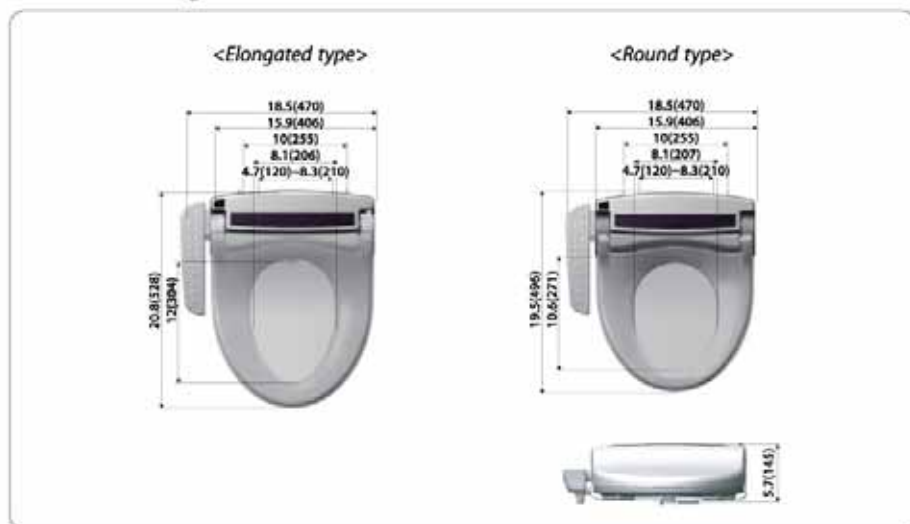
Item	HDB-1500	HDB-1300	HDB-1100	
Rated Voltage	AC 220V~240V, 50Hz			
Max. Consumption Power	1670W			
Power Cord Length	1.8M			
Water Feed Method	Directly Connected to Water Pipe			
Water Pressure	0.7~7.5kg/cm <sup>2</sup>			
Wash	Feeding Volume	Wash	0.7 L / min	
		Bidet	0.7 L / min	
		Enema Wash	0.7 L / min	
	Water Pressure Control	5-Step Control		
	Temp. Control	Room Temp. ~ 38°C		
	Heater Capa.	1600W		
	Safety Device	Temp. Fuse, Thermo Switch		
Heated Seat	Temp. Control	Room Temp. ~ 42°C		
	Heater Capa.	55W		
	Safety Device	Temp. Fuse		
Dry	Temp. Control	Room Temp. ~ 50°C	-	
	Heater Capa.	250W	-	
	Safety Device	Temp. Fuse, Bi-metal	-	
Deodorization		Catalytic Deodorization	-	
Product Dimension	Elongated	470mm X 528mm X 145mm		
	Round	406mm X 496mm X 145mm		
Product Weight (Gross weight)	Elongated	4.8kg [7.8kg]	4.7kg [7.7kg]	4.5kg [7.5kg]
	Round	4.6kg [7.6kg]	4.5kg [7.5kg]	4.3kg [7.3kg]

## 12. Comparison Chart

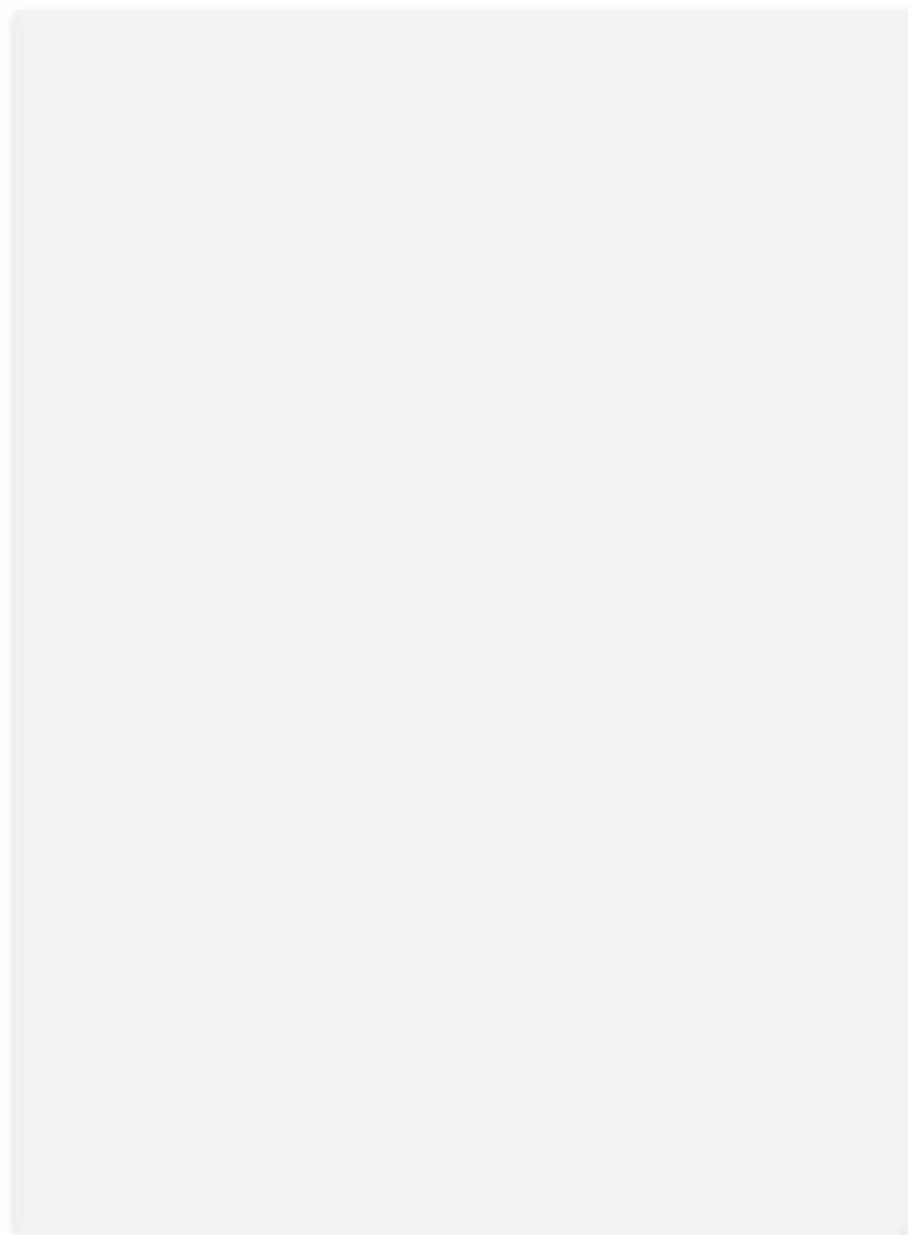
	Function	HDB-1500	HDB-1300	HDB-1100
Wash/Dry Function	Wash	●	●	●
	Bidet	●	●	●
	Enema Wash	●	●	●
	Dry	●	●	
	Deodorization	●		
	Bubble Wash	●	●	●
	Built in pump motor	●	●	●
Convenient / Comfort Function	Automatic Energy Saving	●	●	●
	Learning Energy Saving	●	●	●
	Massage	●	●	●
	Pulse	●	●	●
	Instant heating	●	●	●
	Warm Seat	●	●	●
	Soft Lid	●	●	●
	Detachable Main Body	●	●	●
	Child	●	●	●

### ■ Dimension diagrams

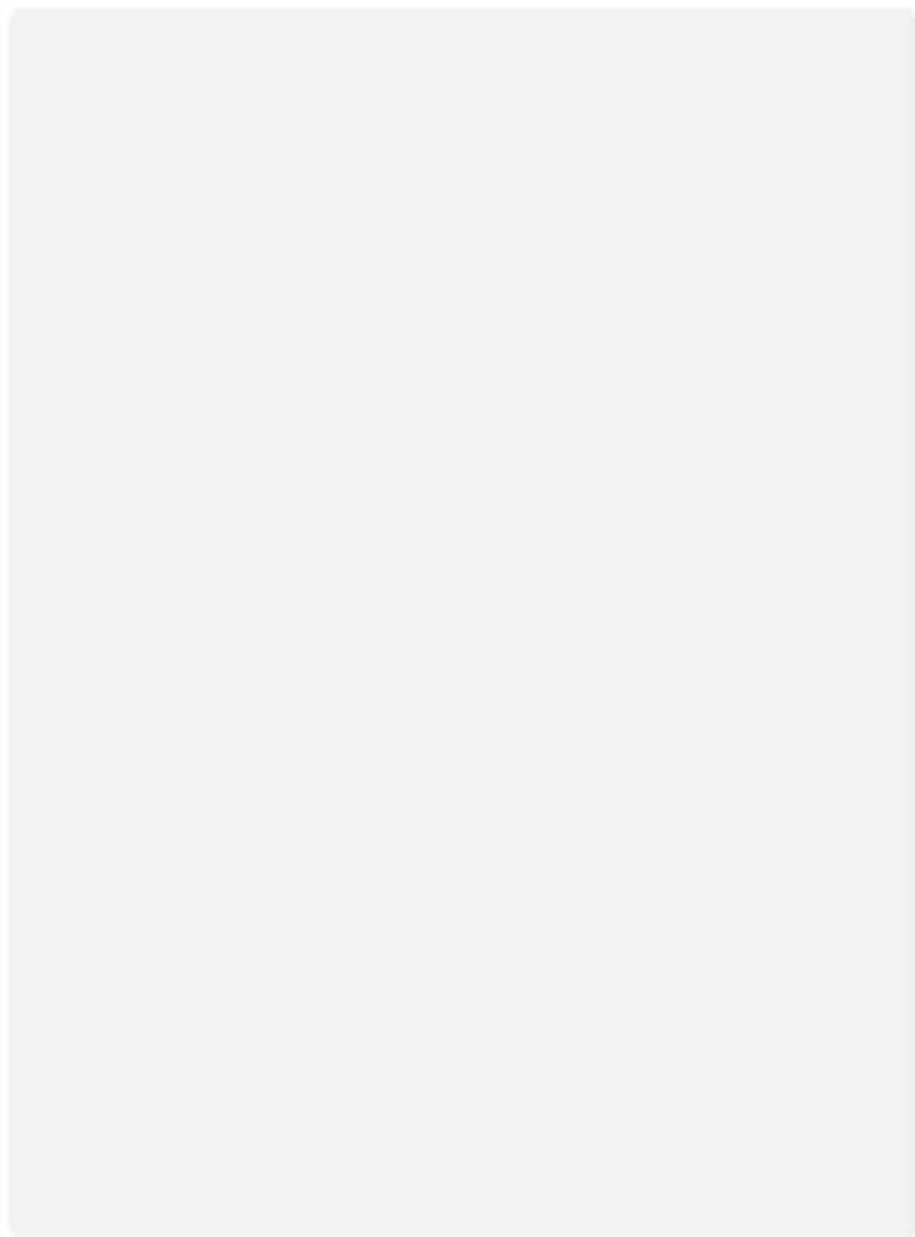
inch (mm)



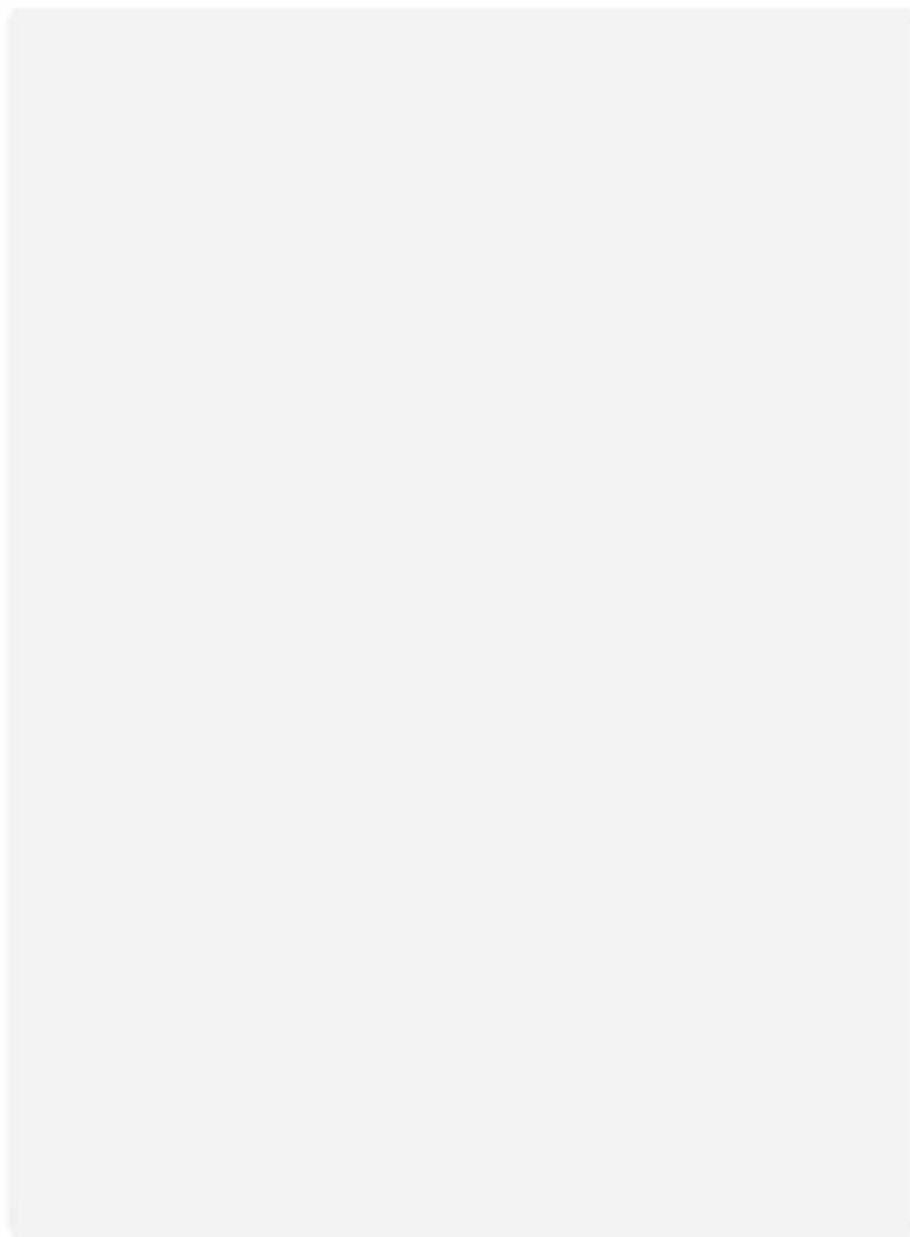
## 13. Memo



# 13.Memo



# 13.Memo



# 13. Memo

# 14. WARRANTY INFORMATION

## - WARRANTY -

1. We hereby guarantee the product as follow in accordance with the regulation of consumer damage compensation.
2. In case of failure of the product, please inform the distributor where you purchased the product.
3. Product warranty will be effective for 1 year.

Product Name		Warranty Period
Model Name		One (1) year since the date purchased
Date Purchased		
SER. No.		
Customer's Address		Name
		Tel.No
Distributor's Address		Name
		Tel.No.

### Regarding Product Warranty Regulation...

1. We will repair the product at free of charge in case it was failed under the normal operating condition in accordance with the user's guide during the warranty period.
2. Although it is within the warranty period, we will charge the repair service fee etc. (repair + product + travel expense) if it falls under the following cases.

### Voiding warranty

1. Defects occurred from the user's careless handling
2. Defects occurred from the usage with incorrect power voltage (E.g., 220V was used to the 110V product.)
3. Defects occurred from the improper repair done by the person other than our service engineer.
4. Defects occurred from Force Majeure (fire, salt, flood, etc.)
5. Failure or damage due to the drop, etc. (user's mis-handling) during the operation after installed
6. Defect occurred from the interior modification at user's discretion
7. In case the life cycle of the part expired

Mail, email or fax the warranty form to:

**YOUR LOCAL DEALER FIRST where you bought this appliance**

If your dealer is unable to assist you

**WACO Corp.**

A-301, HAGYE-TECHNOTOWN, 10, NOWON-RO 15-GIL,  
NOWON-GU, SEOUL, KOREA  
TEL:82-2-948-0657 / FAX:82-2-948-2342  
www.waco.co.kr