

## - WARRANTY -

1. We hereby guarantee the product as follow in accordance with the regulation of consumer damage compensation.
2. In case of failure of the product, please inform the distributor where you purchased the product.
3. Product warranty will be effective for 1 year.

Product Name			Warranty Period
Model Name			One (1) year since the date purchased
Date Purchased			
SER. No.			
Customer's Address	Name		
	Tel.No		
Distributor's Address	Name		
	Tel.No.		

### Regarding Product Warranty Regulation...

1. We will repair the product at free of charge in case it was failed under the normal operating condition in accordance with the user's guide during the warranty period.
2. Although it is within the warranty period, we will charge the repair service fee etc. (repair + product + travel expense) if it falls under the following cases.

### Voiding warranty

1. Defects occurred from the user's careless handling
2. Defects occurred from the usage with incorrect power voltage (E.g., 220V was used to the 110V product.)
3. Defects occurred from the improper repair done by the person other than our service engineer.
4. Defects occurred from Force Majeure (fire, salt, flood, etc.)
5. Failure or damage due to the drop, etc. (user's mis-handling) during the operation after installed
6. Defect occurred from the interior modification at user's discretion
7. In case the life cycle of the part expired

Mail, email or fax the warranty form to:

**YOUR LOCAL DEALER FIRST where you bought this appliance**

If your dealer is unable to assist you

**WACO Corp.**

A-301, HAGYE-TECHNOTOWN, 10, NOWON-RO 15-GIL,  
NOWON-GU, SEOUL, KOREA  
TEL:82-2-948-0657 / FAX:82-2-948-2342  
www.waco.co.kr

# WACO Corp. Electrical Bidet

## USER'S GUIDE



HDB-140  
HDB-120  
HDB-100

Preparation

Installation

Operation

Maintenance  
& Cleaning



This user's guide contains the product warranty certificate.

Be sure to read this user's guide carefully before use.

■ 220V ~ 240V, 50/60Hz

# WACO Corp.

**THIS UNIT WAS MANUFACTURED FOR HOUSEHOLD USE ONLY.  
READ ALL OPERATING INSTRUCTIONS BEFORE INSTALLATION.**

## Notes


1. This product should be installed according to this manual.
2. Please read this manual carefully and install properly.
3. Please save this manual and place it at an easily accessible place.
4. Do not attempt to service this appliance yourself. Doing so could void warranty.


# CONTENTS

1. Safety Instructions .....	4
2. Product Characteristics .....	8
3. Designation of Each Component .....	9
4. Installation .....	11
5. Trial Operation .....	13
6. How to Use the Product .....	14
7. User Settings .....	18
8. Maintenance & Cleaning .....	20
9. Before requesting repair .....	21
10. Product Specifications .....	22
11. Comparison Chart .....	23
12. Warranty .....	24

# 01. Safety Instructions



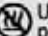

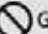
● Each symbol refers to the followings:

 **Warning** Risk of electric hazard when violating the instructions

 **Caution** Risk of injury or material damage when violating the instructions

● Each pictorial indication means the followings:

 means prohibition

-  Disassembly is not allowed
-  Don't touch with wet hand
-  Use of fire prohibited
-  Don't spray water
-  General prohibition

 means obligation

-  Obligatory instruction
-  Grounding Connection

## Warning

Disassembly, modification or repair is not allowed.

▶ Risk of electric shock or fire.



Don't plug or touch the power cord with wet hands.

▶ Risk of electric shock.



Don't spray water on the main body of product or power plug.

▶ Risk of electric shock or fire



Don't use the damaged power cord or outlet.

▶ Risk of electric shock or fire



## Warning

Don't fail to do grounding.

- ▶ Always use the outlet that encloses the earth electrode (Earth terminal mounting outlet check if there is earth or not).
- ▶ In case there is no earth electrode, do grounding separately.
- ▶ When it is not grounded, it causes the failure and electric shock.



Insert the power plug correctly in 220~240V exclusive outlet.

▶ Risk of heat or fire.

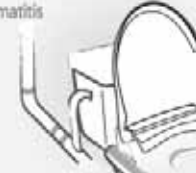


Don't locate the cigarette or flammable materials near the product ; Don't throw the cigarette into the product.



Don't connect the product to the water pipe of industrial use.

▶ Risk of causing dermatitis of user.



Don't connect power to the product before its complete installation on the toilet.



When the power cord or plug is damaged, always inform the service center, and replace if required.



Don't block the hot air hole nor put any object or hand on the hole.

▶ Risk of burn or electric shock. (H08-120,140 only)



When removing the product from toilet, always release the power plug first.

▶ Risk of electric shock.





# 01. Safety Instructions

## ⚠ Caution

Don't stand on the product ; don't put heavy object on it.

▶ Risk of injury or damage to the product.



Don't force to close the cover of toilet.

▶ Risk of failure.



Don't force to lean against the cover of toilet.

▶ Risk of failure.



When cleaning, don't use toilet-use detergent, benzene, thinner, etc.

▶ Risk of damage to the product or crack.



Don't bend the connecting hose ; don't force to pull it out.

▶ It may cause stoppage of water supply or leakage.



Be cautious of low temperature burn.

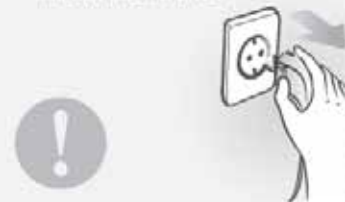
▶ When the skin has been in contact with a low temperature hot surface for a long time, it may cause low temperature burns. The seat temperature should be set on Low or Off when the unit is used by children, elderly persons or persons who can not control temperature themselves.



## ⚠ Caution

When the product is not used an extended period of time, remove the power plug and drain the water out of the product tank.

▶ It may cause the water rotten and result the skin disease.



Don't use an out of order/faulty product.

▶ When it is out of order, remove the plug from the outlet and inform the service center.  
▶ Otherwise, it may cause fire or electric hazard.



When installing, push it in until it sounds 'Click'.

▶ It may cause water leakage or mal-operation.



Don't place the removed product upside down.

▶ Risk of the product failure.



## ⚠ Warnings

This appliance is not intended for use by persons (including children) with reduced physical, sensory or mental capabilities, or lack of experience and knowledge, unless they have been given supervision or instruction concerning use of the appliance by a person responsible for their safety.

Children should be supervised to ensure that they do not play with the appliance

## 02. Product Characteristics

WOO Corp. bidet has the following characteristics:

### Advanced conventional heating technology

Enjoy continuous warm water throughout the wash cycle.



### Power wash

Soft but powerful water wash for added cleansing benefit.



### Bubble Wash

Aerated water wash adds cleaning comfort.



### Massage

Nozzle moves back and forth for massage effect.



### Pulse

Pulsating wash repeatedly cycles from weak to strong.



### Child Settings

Specialized nozzle position and water pressure for children.



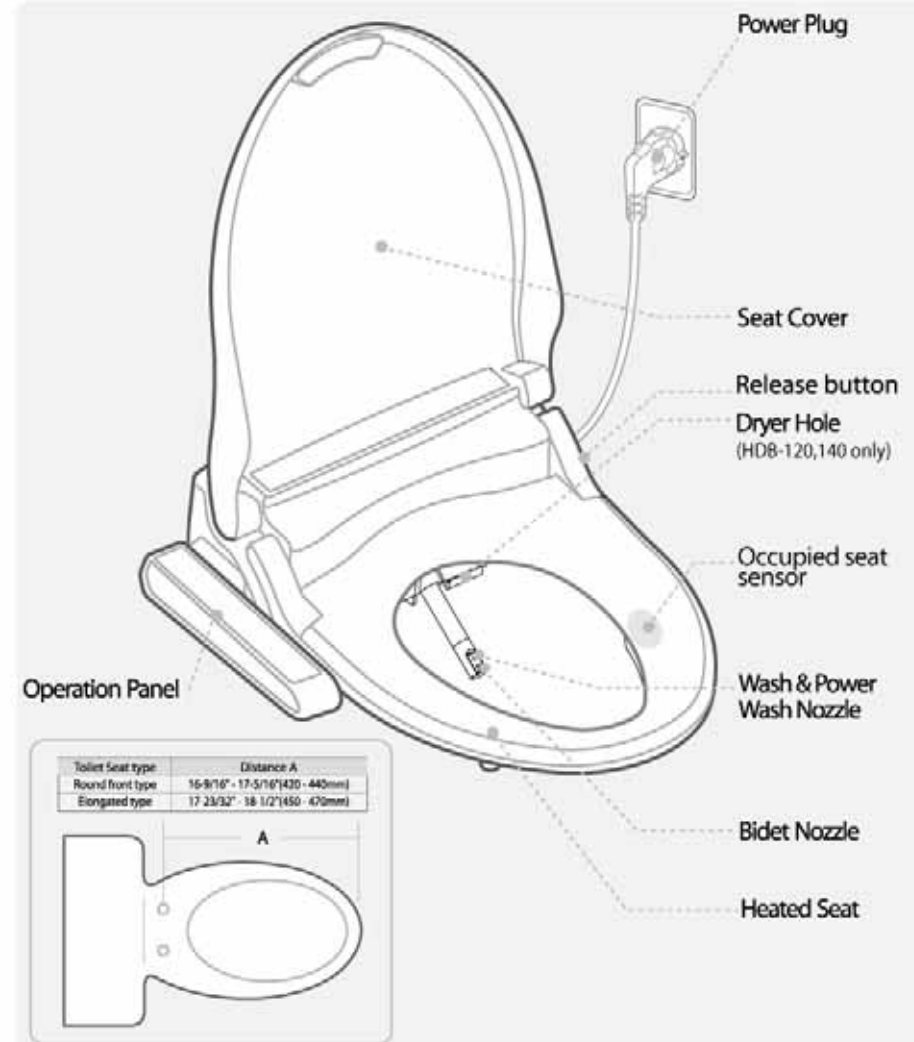
### Energy Saving Function

Two modes in energy saving function maximize energy saving effect.



## 03. Designation of Each Component

### Main Body



Toilet Seat type	Distance A
Round front type	16-9/16" - 17-5/16" (420 - 440mm)
Elongated type	17-23/32" - 18-1/2" (450 - 470mm)

※ Occupied seat sensor

- The occupied seat sensor must be activated to operate the unit.
- The unit will work without activation of occupied seat sensor if this function is released intentionally.
- Refer to page No. 18.

# 03. Designation of Each Component

## Operation Panel

**STOP**  
To stop any functions. To power off, press this for 3 seconds.

**WASH**  
To run for posterior wash or sitz bath function.

**BIDET**  
To run for feminine wash or sitz bath function.

**FRV/BK**  
Controls the nozzle position as desired. Press this for 3 seconds, nozzle comes out for manual cleaning.

**PULSE**  
To run the PULSE function on the model of WASH/BIDET/POWER WASH. The water pressure is rhythmically changed from strong to weak. Press this for 3 seconds to release the seat sensor.

**CHILD**  
Children safety mode. All settings are adjusted for child and after wash dry works automatically.

**ENERGY SAVING**  
1 step: automatic mode  
2 step: powerful saving  
3: cancellation

**ENEMA WASH**  
To run the power wash function.

**DRY**  
To run the dry function. Temperature is adjustable by H/L/O buttons. (HOB-120/140 only)

**H/L/O**  
Adjusting water pressure/dry level in 3 steps.

**MASSAGE**  
To run the MASSAGE function, nozzle is moving forward and backward repeatedly.

**SEAT TEMP**  
To adjust the seat temp. by 4 steps. OFF-LOW-MID-HI.

**WATER TEMP**  
To adjust the water temp. by 4 steps. OFF-LOW-MID-HI.

## Accessories

**Bolts**

**Nuts**

**Washers**

**Cone packings**

**Bracket Holders**

**Bracket**

**Spare nut**

**Rubber washer (for Spare nut)**

※ Optional

**Filter**

※ Optional

**T-Valve**

**Water Feed Hose (for Toilet)**

**Water Feed Hose (for Bidet)**

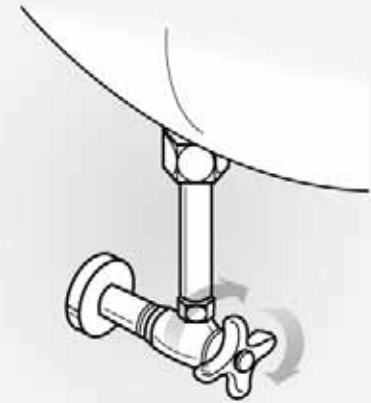
# 04. Installation

## Order of Installation

- 1 Remove the seat from the existing toilet body.
  - ▶ Release the nuts, and then remove the seat and cover from it.
  - ▶ Keep the removed seat, cover and nuts well in a proper place.



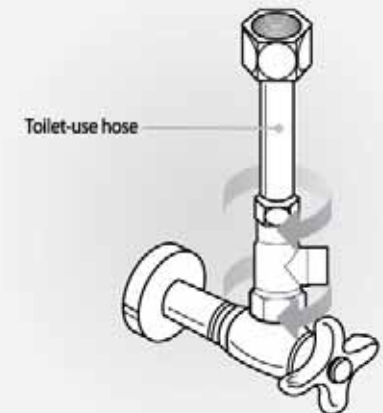
- 2 Close the water feed valve by turning it clockwise, and then drain the toilet water tank out.



- 3 Remove the water feed pipe and then install T-valve.
  - ▶ Keep the removed water feed pipe well in a proper place. It may be useful when moving house to other place later.



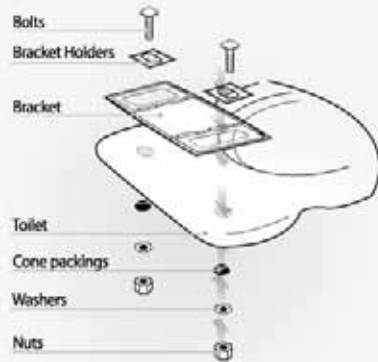
- 4 Connect the toilet-use hose.





# 04. Installation

**5** Fix the bracket onto the toilet first.



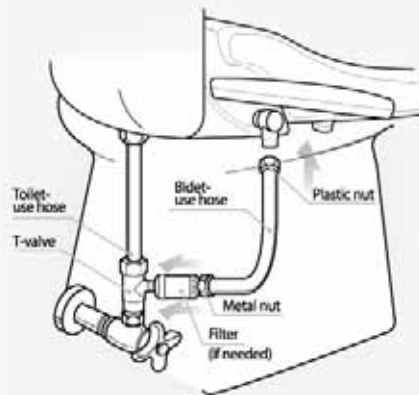
▶ Adjust the seat and the front part of toilet back and forth so that they can correspond with before fastening the nuts.

**6** Push the main body toward the bracket completely.

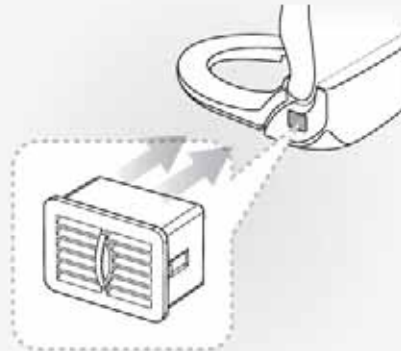


▶ Push it in until it sounds 'click'.  
▶ When the product is not installed well, it may cause leakage.

**7** After installing the filter onto the T-valve, connect the bidet-use hose to the bidet body.



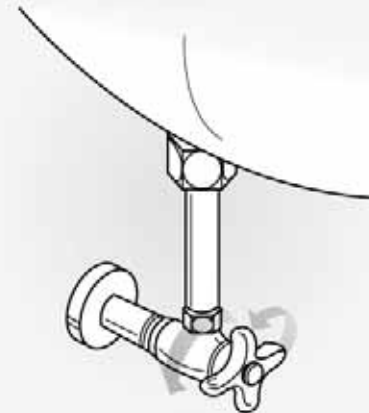
**8** Insert the deodorizing cartridge into the bidet body. (HDB-140 only)



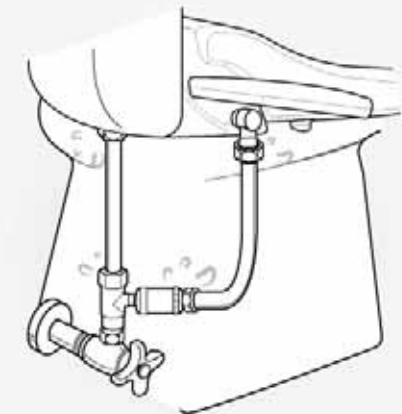
# 05. Trial Operation

## Order of Trial Operation

**1** Open the water feed valve by turning it anti-clockwise.



**2** Be sure of no leakage around the hose connection.



**3** Be sure that nozzle comes out and retracts when powered on.

▶ Don't plug the power cord with wet hands.  
Risk of electric shock.



**4** When the unit is powered on, water tank will be filled immediately. The unit will beep until the water tank is fully filled up with water.

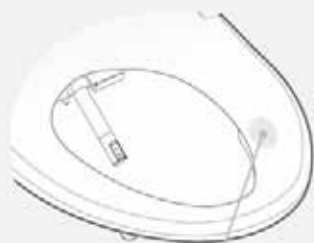


# 06. How to Use the Product

## Basic Operation Method

### 1 Sit on the toilet seat.

- ▶ Be sure to sit on the user sensor of seat.  
If the sensor is not occupied, functions will not work.



User sensor

### 2 Press WASH, BIDET, Power wash buttons.

- ▶ Selected function can be used as desired.
- ▶ Sitz bath is possible in the mode of WASH and BIDET.  
Press WASH or BIDET button again for Sitz bath.  
e.g.) WASH + WASH = WASH SITZ BATH  
BIDET + BIDET = BIDET SITZ BATH



### 5 MASSAGE Wash

- ▶ When Pressing the MASSAGE button, nozzle location will be changed back and forth to wash the wider range.



### 6 PULSE Wash

- ▶ When pressing PULSE button during the operation of WASH, BIDET and Power wash, water pressure will repeat HIGH/LOW level for smooth pulsating wash.  
(Massage is not available in Sitz bath mode)
- ▶ Press this button for 3 seconds to release the occupied seat sensor intentionally.



### 3 Press the DRY button

- ▶ Hot air indicator lamp will light on.
- ▶ Dryer works for 3 minutes.
- ▶ It is recommended to wipe out the water on your bottom before operating the dry function for improving dry effect. (HD8-120, 140 only)



### 4 Press the STOP button.

- ▶ Any operation will stop.
- ▶ Press STOP for 3 seconds to turn off the unit while not seated.



### 7 Water Pressure Control

- ▶ Pressing HIGH/LOW button enables the control of water pressure.
- ▶ When any foreign material blocks the water filter, it may cause the low water pressure.  
Regularly check the water and screen filter.



### 8 Nozzle Position Control

- ▶ Nozzle position can be controlled by pressing FR/BK.





# 06. How to Use the Product

## Basic Operation Method

### 9 CHILD Function

- ▶ All settings are adjusted for child and after wash dry works automatically.
- ▶ Nozzle moves forward more than adult wash.
- ▶ Water pressure is weaker than adult wash.
- ▶ Seat temperature is set at lower than adult setting.

CHILD

### 10 Seat Temperature Control

- ▶ When pressing the SEAT TEMP. CONTROL button, the temperature of seat can be controlled within the range of room temperature, OFF-LOW-MID-HI

SEAT  
TEMP.

### 11 WATER TEMP CONTROL

- ▶ When pressing the WATER TEMP. CONTROL button, the temperature of water can be controlled within the range of room temperature, OFF-LOW-MID-HI

WATER  
TEMP.

### 12 ENERGY SAVING Function

- ▶ Automatic Energy Saving Function
  - # When pressing the button once, it enters into automatic energy saving mode (Yellow LED lamp lights on)
  - # Seat and water temperatures will be kept at 32°C.
  - # When sitting on the seat to use bidet, it turns to the pre-designated temperature. When getting out of the seat, it returns to the automatic energy saving mode.
- ▶ Power Energy Saving Function
  - # When pressing the button twice, it enters into the Power Energy Saving mode. (Green LED lights on)
  - # Seat will not be heated at all for maximizing energy saving effect.
  - # When sitting on the seat to use the product, it turns to the pre-designated temperature. As soon as leaving the seat, it returns to power energy saving mode.
- ▶ When pressing the button three times, the energy saving mode will be released.

### 13 Nozzle Cleaning

- ▶ While not sitting on the seat, and pressing the FR button three seconds, the nozzle will move forward at its maximum distance so that the user can clean it easily (It will return after 2 minutes)
- ▶ When pressing STOP button, the nozzle will return and operate self-cleaning operation.

Longer than  
3 seconds

FR

### 14 Deodorizing function (HDB-140 only)

- ▶ When sitting on the seat, automatically the deodorizing function starts.
- ▶ After the usage of bidet, the deodorizing function will operate for one (1) minute.
- ▶ Automatic deodorizing function can be released by pressing STOP + Energy saving button while not seated.

### 15 Low temperature burn protection

- ▶ To reduce the chance of low temperature burns, the seat has a seat heater auto adjustment function which turns to low temperature (32°C) when the user sits on the seat for more than 15 minutes consecutively.

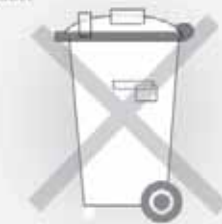


Consult your doctor before using Power Wash function in situations of anal disease/surgery.

### Do not throw away

We are committed to protect the environment.

Please help us by disposing of this product in a responsible way when it reaches the end of its service life, to prevent certain substances contained in electric and electronic products from harming public health or the environment. The symbol means that the products may not be thrown away with other household waste: at the end of its service life, it may be taken at no charge to you to the waste-collection centers provided for the purpose by the authorities in your country. It may be taken to the distributor from whom you purchase a new product that is equivalent to or that performs the same functions as this product. This later option may not be available in some countries.



# 07. User Settings

● : Seat Switch 'Off' Status   ○ : Seat Switch 'On' Status   ● : Regardless of On/Off

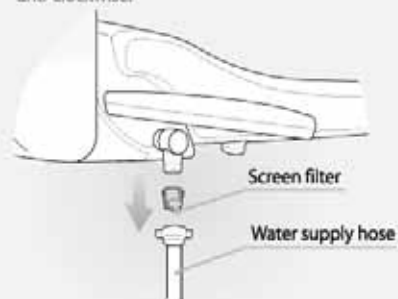
No	Function	Seat Status	Switch Operation	Description	Initial Status
1	Operating Signal Cancel	●	Press MESSAGE for 3 sec.	Use when turning off the operating signal	Operating Signal is turned on
2	Turning off	●	Press STOP button for 3 sec.	Press one of STOP, WASH, BIDET and POWER WASH to turn on the unit.	
3	Manual nozzle cleaning	●	Press FR button for 3 sec.	To clean the nozzle manually.	
4	Seat occupied sensor release	●	Press PULSE button for 3 sec.	To release the seat sensor intentionally.	○
5	Automatic deodorizing ON/OFF	●	Press STOP button and press ENEGGY SAVING button.	To release automatic deodorizing function intentionally.	○

- The unit will work without activation of the occupied seat sensor if occupied seat sensor is released (turned off).
- Some of functions, that must be set while not seated, are not available if occupied seat sensor is released (turned off).
- If the occupied seat sensor is turned off, deodorizer works for the first 30 minutes after setting and it will not work anymore until occupied sensor is activated again.

## 08. Maintenance & Cleaning

### Cleaning of Water pipe filter

- 1 Close the water feed valve by turning it clockwise.
- 2 Disconnect the water supply hose. Take the screen filter out and clean it with soft brush, (e.g. toothbrush)
- 3 After cleaning, place it back. Then connect the water supply hose.
- 4 Open the water feed valve by turning it anti-clockwise.



### Cleaning of Nozzle

- 1 Press FR button for 3 seconds while not seated. The nozzle will move forward and stop for 2 minutes.
- 2 Clean the nozzle with a unused toothbrush, etc., and press the STOP button, then it will return to the original place for self cleaning.



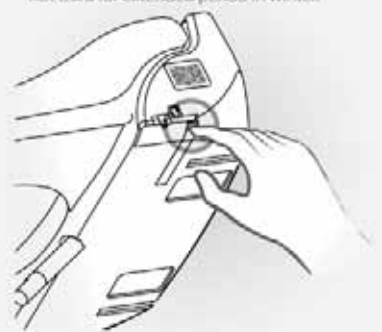
### Cleaning of Bidet Body

- 1 Exterior surface of bidet is made of plastic material, which may be damaged by scrubber, chemicals, etc.
- 2 Wipe the surface with a soft cloth wet and squeezed completely. Don't spray water directly onto the surface with the bath-use shower device.
- 3 Clean the body after removing the power plug from the outlet. Be sure no water splash to the power plug or outlet.
- 4 Don't touch the power outlet with wet hand. Risk of electric shock.



### Drainage of Hot Water Tank

- 1 Remove the power plug from the outlet.
- 2 Close the water feed valve by turning it clockwise.
- 3 Press the release button on the side of main body. To prevent freezing, drain the water if unit is not used for extended period in winter.



## 09. Before requesting repair

※ Please check the following points before requesting the repair of the product.

Signs to occur	Matters to be checked
Completely out of operation	<ul style="list-style-type: none"> <li>• Check if the power plug is not connected.</li> <li>• Check the power failure.</li> </ul>
Water does not spray out	<ul style="list-style-type: none"> <li>• Check if the water supply is suspended.</li> <li>• Check if water feed valve is locked</li> <li>• Check if nozzle is blocked by foreign material</li> <li>• Check if connection hose is bent</li> </ul>
Water pressure is low	<ul style="list-style-type: none"> <li>• Check if water pipe filter is blocked by foreign material.</li> <li>• Check if the water pressure is set at too low level</li> </ul>
Water is not warm enough	<ul style="list-style-type: none"> <li>• Check if its temperature is set at 'Off' or 'Low'.</li> </ul>
Seat is not warm enough	<ul style="list-style-type: none"> <li>• Check if its temperature is set at 'Off' or 'Low'</li> </ul>

### Self-Diagnosis Table

※ When any abnormal phenomenon occurs, please refer to the following table, and inform the exact status at the time of requesting A/S service.

No	Self-Diagnosis Phenomenon	Way of Indication
1	Water temp sensor is disconnected or not inserted	LED of water temp. Yellow + Green blinking
2	Water temp sensor is short-circuited or over-heated	LED of water temp. Red + Yellow blinking
3	Seat temp sensor is disconnected or not inserted	LED of seat temp. Green blinking
4	Seat temp sensor is short-circuited or over-heated	LED of seat temp. Red blinking

# 10. Product Specifications

Item		HDB-140	HDB-120	HDB-100
Rated Voltage		AC 220V ~ 240V, 50/60Hz		
Max. Consumption Power		1270W		
Power Cord Length		1.5m		
Water Feed Method		Direct connection		
Water Pressure		0.7~7.5kgf / cm <sup>2</sup>		
Wash	Feeding Volume	Wash	0.6 ℓ/min	
		Bidet	0.6 ℓ/min	
		Power Wash	0.5 ℓ/min	
	Water Pressure Control	5 levels		
	Temp. Control	4 levels (Off, Low, Mid, Hi)		
	Heater Capa.	1200W		
Safety Device		Thermal fuse, Thermal switch, Bi-metal		
Heated Seat	Temp. Control	4 levels (Off, Low, Mid, Hi)		
	Heater Capa.	55W		
	Safety Device	Thermal fuse		
Dry	Temp. Control	Room temp. ~50°C	-	
	Heater Capa.	250W	-	
	Safety Device	Thermal fuse, Bi-metal	-	
Deodorizer		Catalytic carbon filter	-	
Product Dimension	Elongated	470mm X 528mm X 145mm		
	Round	470mm X 496mm X 145mm		
Product Weight	Elongated	4.7kg [7.7kg]	4.6kg [7.6kg]	4.5kg [7.5kg]
	Round	4.6kg [7.6kg]	4.5kg [7.5kg]	4.4kg [7.4kg]

# 11. Comparison Chart

	Function	HDB-140	HDB-120	HDB-100
Wash/Dry Function	Wash	●	●	●
	Bidet	●	●	●
	Power Wash	●	●	●
	Dry	●	●	●
	Bubble Wash	●	●	●
Convenient / Comfort Function	Automatic Energy Saving	●	●	●
	Power Energy Saving	●	●	●
	Massage	●	●	●
	Pulse	●	●	●
	Advanced conventional heating	●	●	●
	Warm Seat	●	●	●
	Soft Closing Lid & Seat	●	●	●
	Detachable Main Body	●	●	●
	Child	●	●	●
	Deodorizer	●	●	●

## Dimension diagrams

inch (mm)

