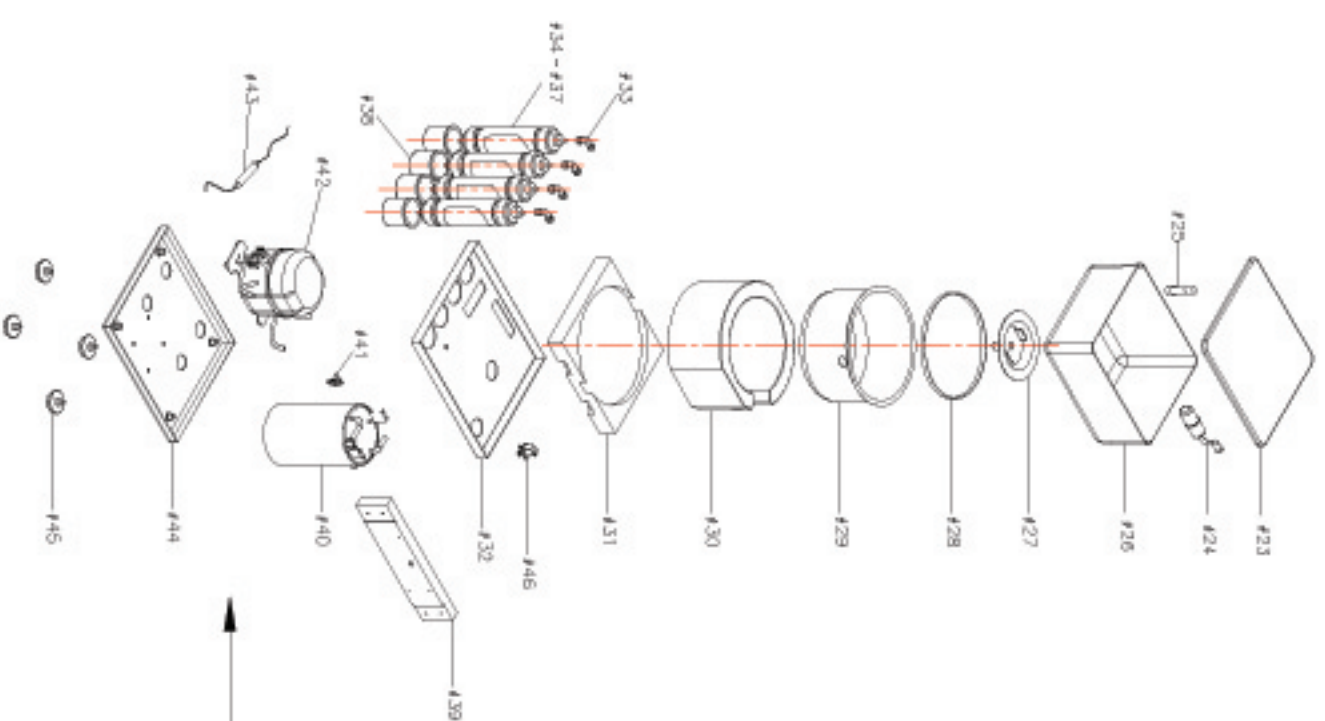
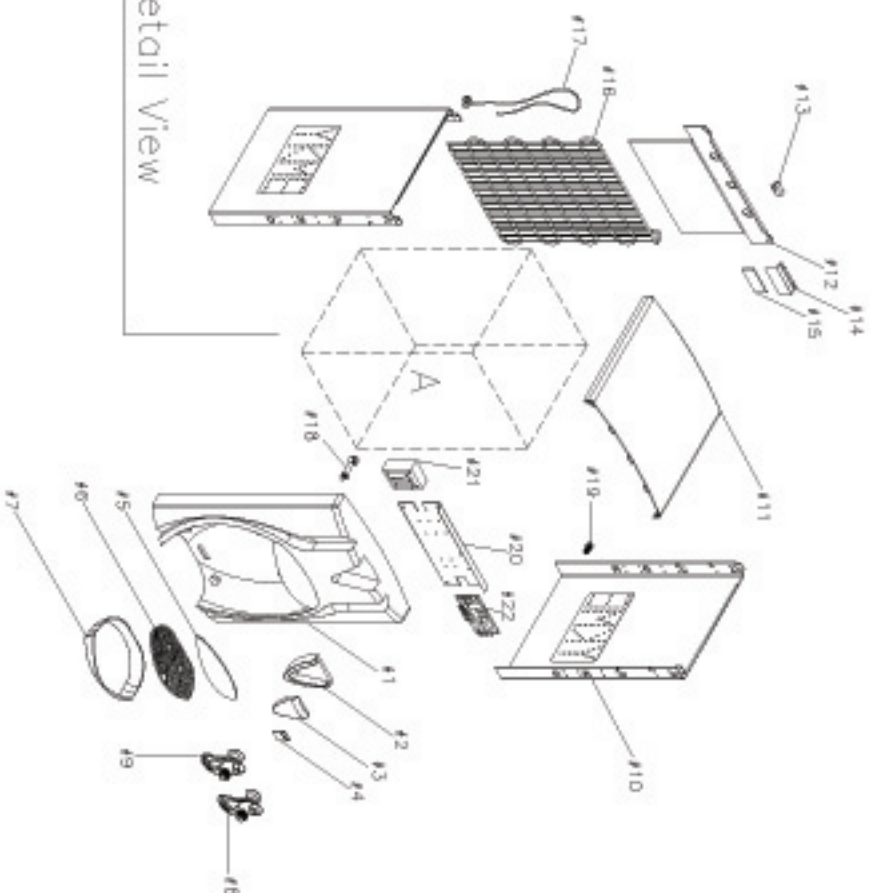


# W2-360H



## Detail View



1	Upper Part Panel
2	LED Cover
3	LED Clear Cover
4	LED PCB
5	Upper Part Panel Cover
6	Water Tray Net
7	Water Tray
8	Faucet(COLD)
9	Faucet(HOT)
10	Side Panel
11	Top Panel
12	Control panel
13	Cold Thermostat
14	Function PCB Panel
15	Function PCB
16	Wire Condensor
17	Power Cord
18	Water Outlet
19	Bulk Head
20	Main PCB Board
21	Transformer
22	Main PCB
23	Reservoir Cover
24	Float
25	Water Level Sensor
26	Reservoir
27	Separate Plate
28	Ring Packing
29	Cold Tank
30	Cold Tank Lagging(R)
31	Cold Tank Lagging(S)
32	Middle Shelf
33	L Fitting
34	Sediment Filter
35	Pre Carbon Filter
36	UF Membrane Filter
37	Post Carbon Filter
38	Filter Clip
39	Joint Panel
40	Hot Tank
41	Bimetal
42	Compressor
43	Dryer
44	Bottom Panel
45	Rubber Pad
46	Soleroid Valve