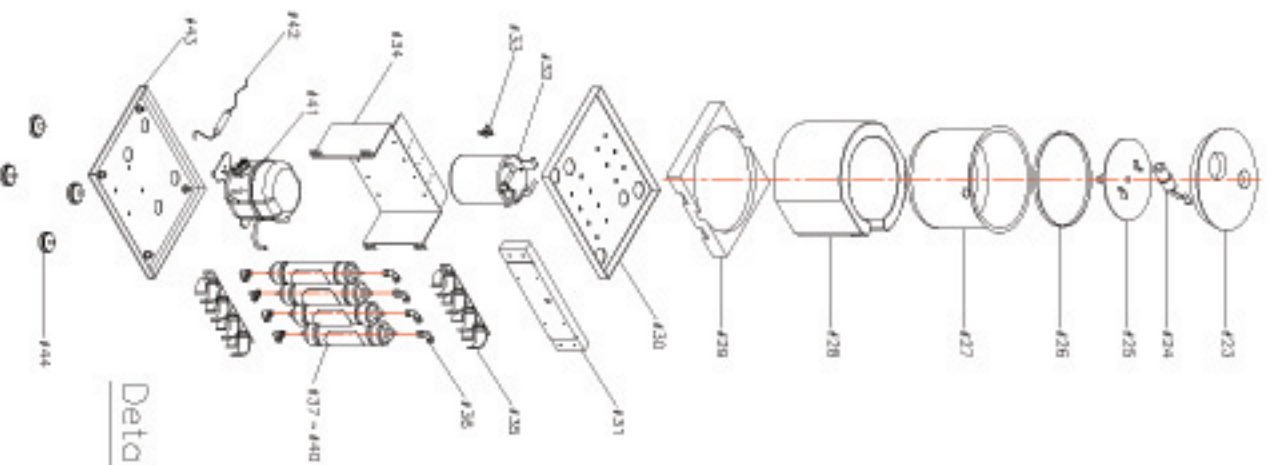
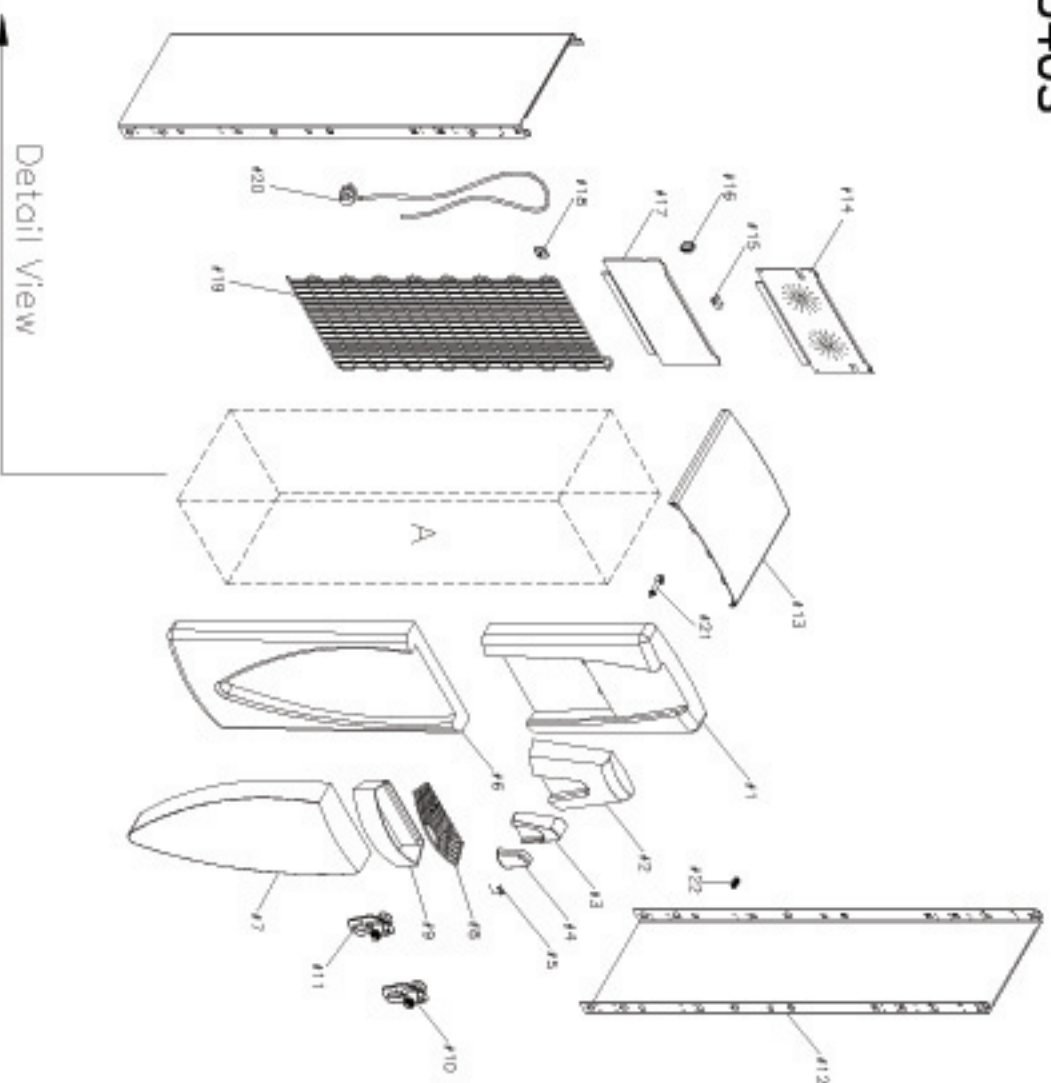


# W2-340S



Detail A



Detail View

|    |                        |
|----|------------------------|
| 1  | Upper Part Panel       |
| 2  | Upper Part Panel Cover |
| 3  | LED Cover              |
| 4  | LED Clear Cover        |
| 5  | LED PCB                |
| 6  | Under Part Panel       |
| 7  | Under Part Panel Cover |
| 8  | Water Tray Net         |
| 8  | Water Tray             |
| 10 | Faucet(COLD)           |
| 11 | Faucet(HOT)            |
| 12 | Side Panel             |
| 13 | Top Panel              |
| 14 | Back Panel             |
| 15 | Cold Thermostat        |
| 16 | Hot Switch             |
| 17 | Control Panel          |
| 18 | Drain Valve            |
| 19 | Wire Condensor         |
| 20 | Power Cord             |
| 21 | Water Outlet           |
| 22 | Bulk Head              |
| 23 | Cold Tank Cover        |
| 24 | Float                  |
| 25 | Separate Plate         |
| 26 | Ring Paking            |
| 27 | Cold Tank              |
| 28 | Cold Tank Logging(R)   |
| 29 | Cold Tank Logging(S)   |
| 30 | Middle Shelf           |
| 31 | Joint Panel            |
| 32 | Hot Tank               |
| 33 | Bimetal                |
| 34 | Filter Brakel          |
| 35 | Filter Clip            |
| 36 | L Fitting              |
| 37 | Sediment Filter        |
| 38 | Pre Carbon Filter      |
| 39 | UF Membrane Filter     |
| 40 | Post Carbon Filter     |
| 41 | Compressor             |
| 42 | Dryer                  |
| 43 | Bottom Panel           |
| 44 | Control Wheels         |