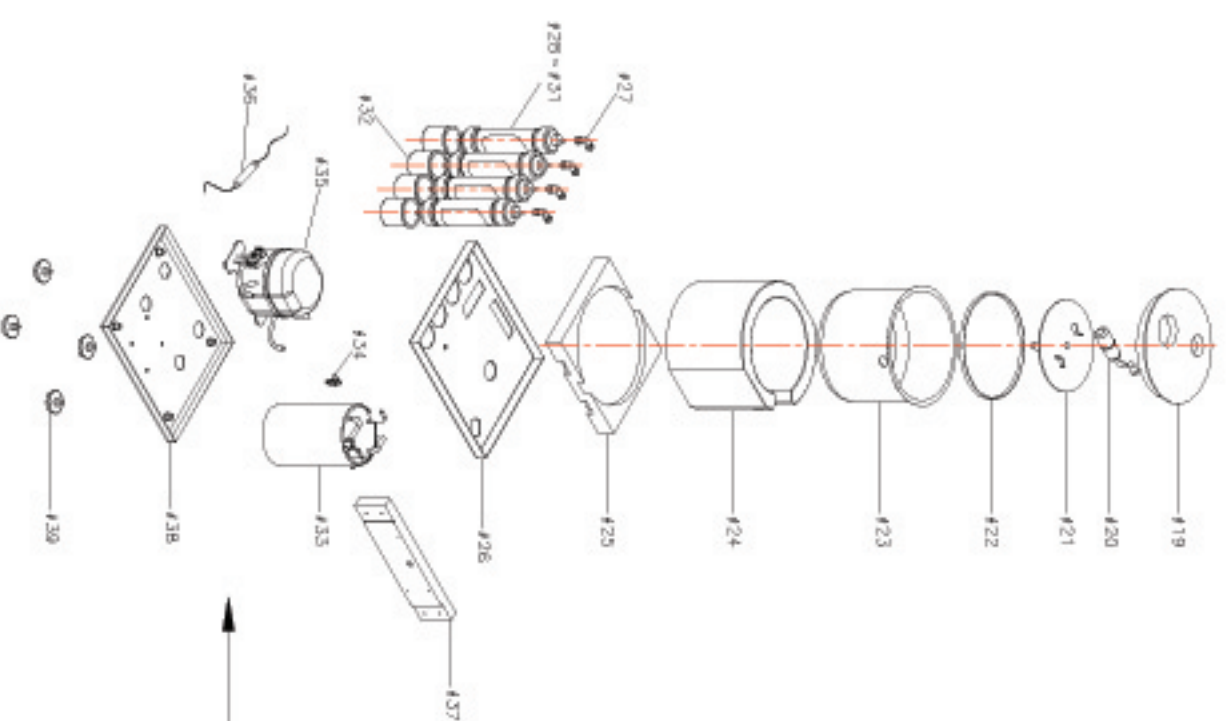
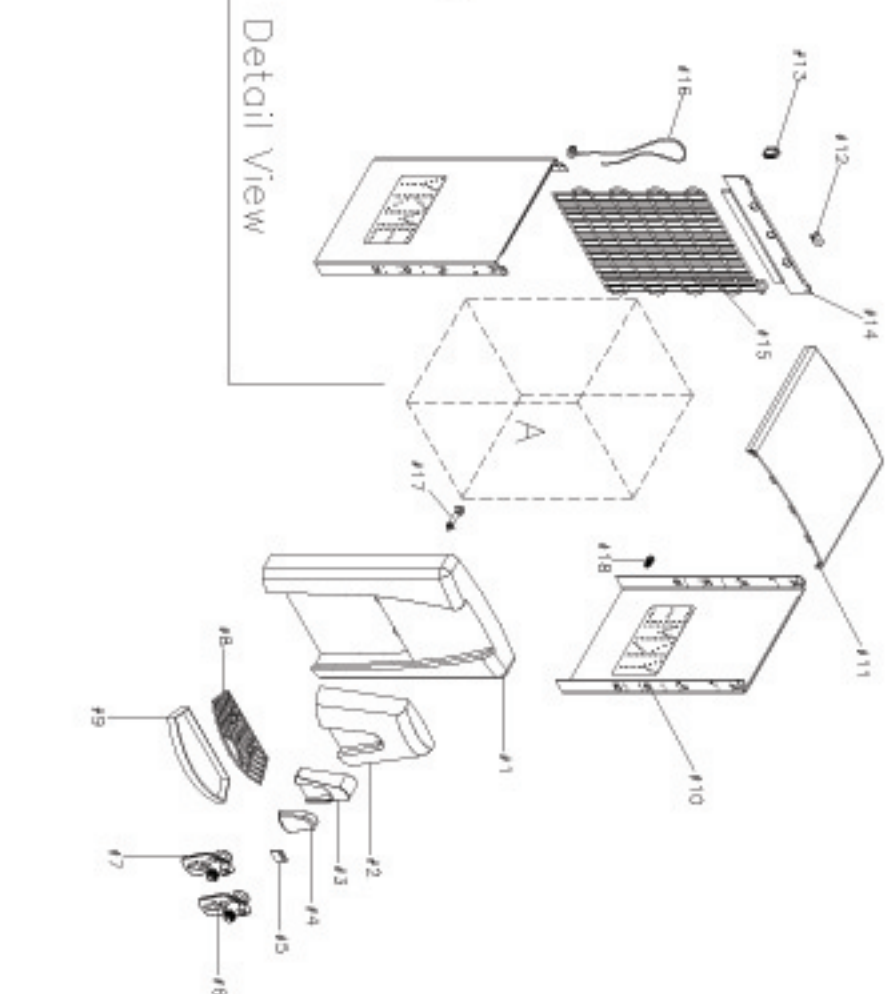


W2-340H



Detail View



| | |
|----|------------------------|
| 1 | Upper Part Panel |
| 2 | Upper Part Panel Cover |
| 3 | LED Cover |
| 4 | LED Clear Cover |
| 5 | LED PCB |
| 6 | Faucet(COLD) |
| 7 | Faucet(HOT) |
| 8 | Water Tray Net |
| 9 | Water Tray |
| 10 | Side Panel |
| 11 | Top Panel |
| 12 | Cold Thermostat |
| 13 | Hot Switch |
| 14 | Control panel |
| 15 | Wire condensor |
| 16 | Power Cord |
| 17 | Water Outlet |
| 18 | Bulk Head |
| 19 | Cold Tank Cover |
| 20 | Float |
| 21 | Separate Plate |
| 22 | Ring Paking |
| 23 | Cold Tank |
| 24 | Cold Tank Logging(R) |
| 25 | Cold Tank Logging(S) |
| 26 | Middle Shelf |
| 27 | L Fitting |
| 28 | Sediment Filter |
| 29 | Pre Carbon Filter |
| 30 | UF Membrane Filter |
| 31 | Post Carbon Filter |
| 32 | Filter Clip |
| 33 | Hot Tank |
| 34 | Bimetal |
| 35 | Compressor |
| 36 | Dryer |
| 37 | Joint Panel |
| 38 | Bottom Panel |
| 39 | Rubber Pad |

Detail A