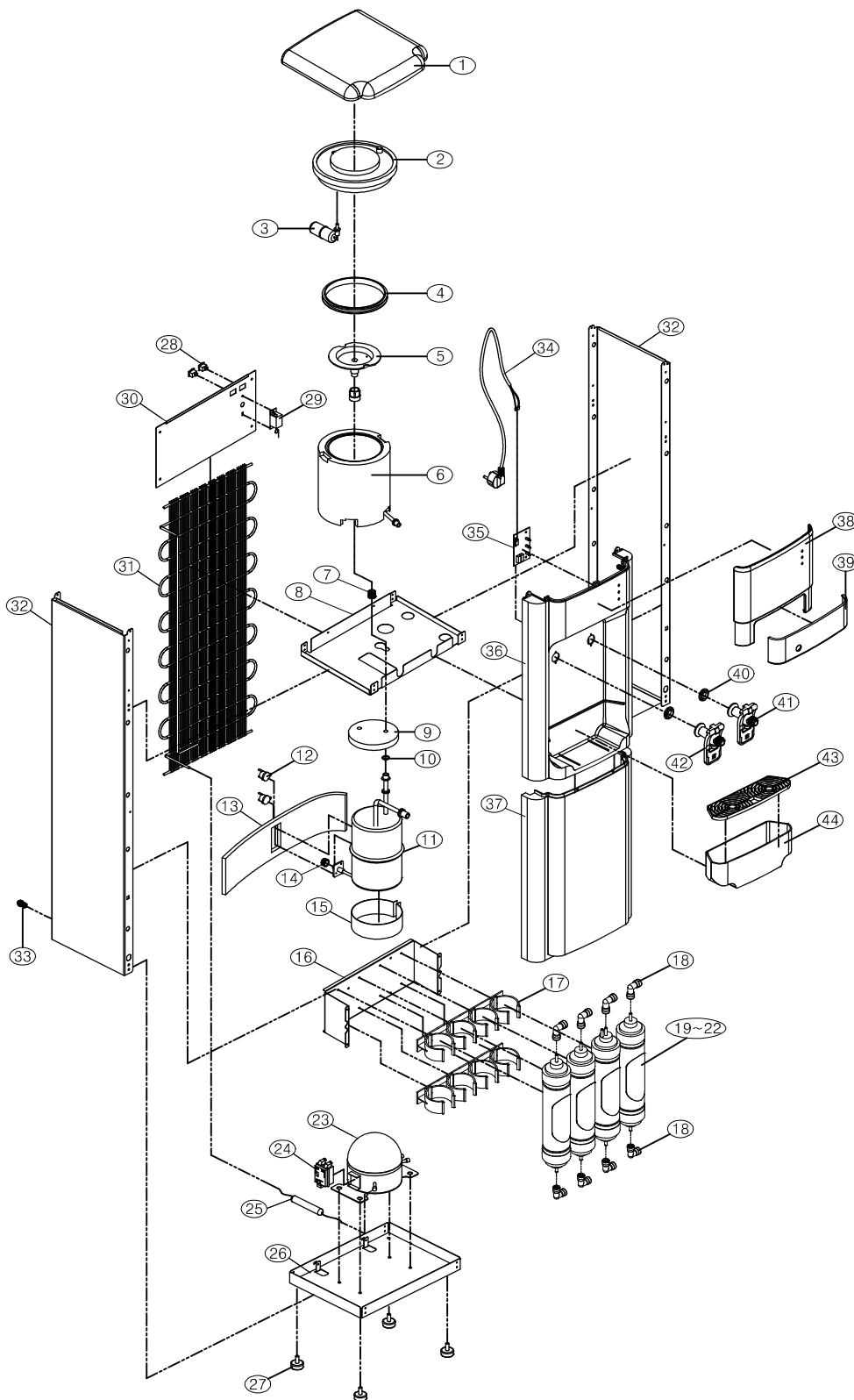


Hot & Cool Water Purifier W2-160P



NO	PART NAME	Q'TY
1	Cover top	1
2	Cold tank cover	1
3	Float	1
4	Ring packing	1
5	Separate panel & nut	1
6	Cold tank	1
7	Separate panel nut	1
8	Middle plate	1
9	Hot tank Lagging(S)	1
10	Hot tank O-ring	1
11	Hot tank	1
12	Bimetal	2
13	Hot tank lagging(L)	1
14	Drain valve cover	1
15	Bend heater	2
16	Bracket filter	1
17	Clip filter	2
18	L Fitting	8
19	Sediment filter	1
20	Pre carbon filter	1
21	UF membrane filter	1
22	Post carbon block filter(PCB)	1
23	Compressor	1
24	OLP-PTC	1
25	Dryer	1
26	Bottom plate	1
27	Control wheel	4
28	Switch	2
29	Cold thermostat	1
30	Back plate	1
31	Wire condensor	1
32	Side frame	2
33	Bulk head	1
34	Power cord	1
35	PCB LED	1
36	Panel front upper	1
37	Panel front under	1
38	Cover front upper	1
39	Cover front under	1
40	Faucet O-ring	1
41	Faucet (Hot)	2
42	Faucet (Cold)	1
43	Tray water	1
44	Grill water	1