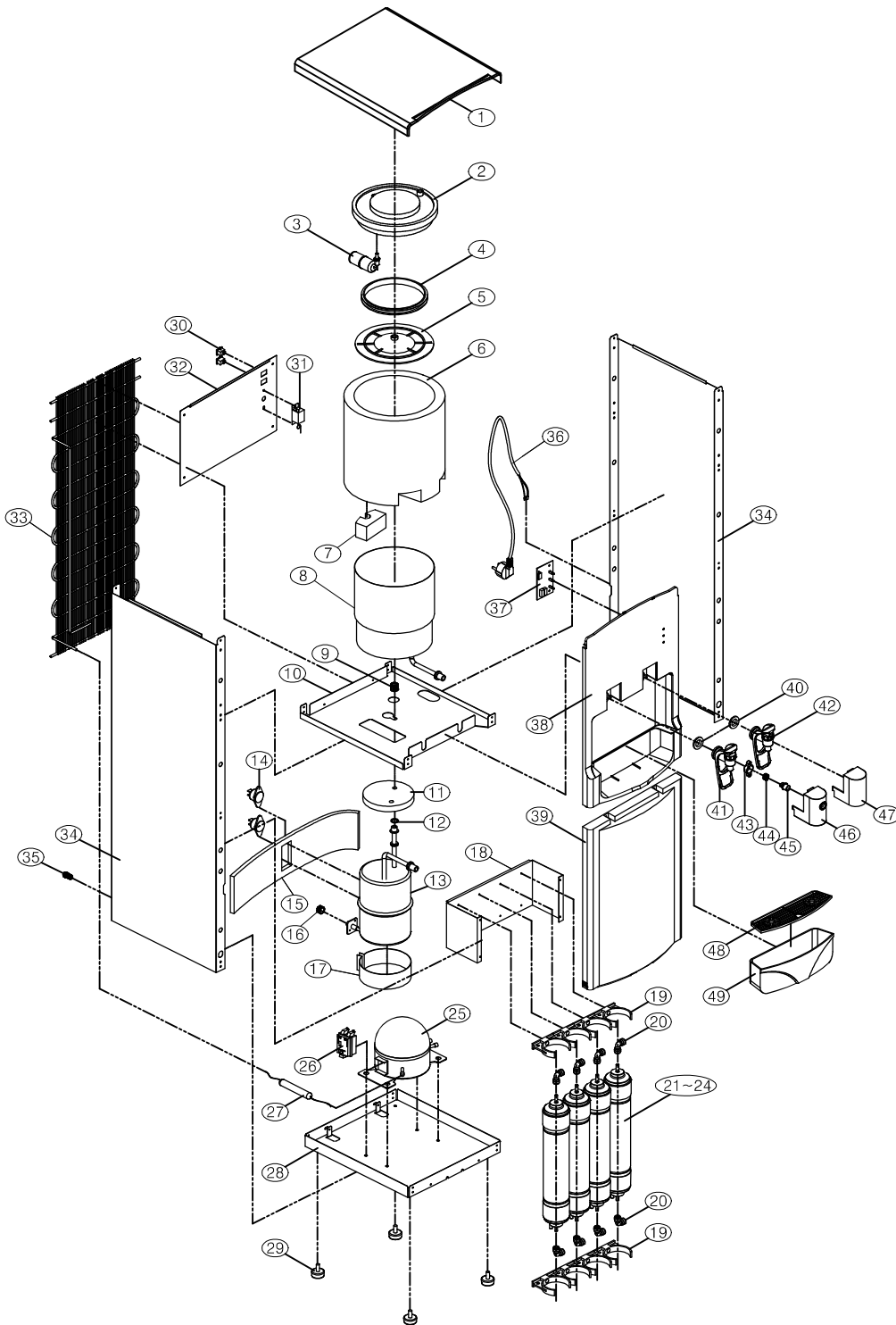


# Hot & Cool Water Purifier W2-150P



NO	PART NAME	Q'TY
1	Cover top	1
2	Cold tank cover	1
3	Float	1
4	Ring packing	1
5	Separate panel & nut	1
6	Cold tank lagging(L)	1
7	Cold tank lagging(S)	1
8	Cold tank	1
9	Separate panel nut	1
10	Middle plate	1
11	Hot tankLagging(S)	1
12	Hot tank O-ring	1
13	Hot tank	1
14	Bimetal	2
15	Hot tank lagging(L)	1
16	Drain valve cover	1
17	Bend heater	1
18	Bracket filter	1
19	Clip filter	8
20	L Fitting	8
21	Sediment filter	1
22	Pre carbon filter	1
23	UF membrane filter	1
24	Post carbon block filter(PCB)	1
25	Compressor	1
26	OLP-PTC	1
27	Dryer	1
28	Bottom plate	1
29	Control wheel	4
30	Switch	2
31	Cold thermostat	1
32	Back plate	1
33	Wire condensor	1
34	Side frame	2
35	Bulk head	1
36	Power cord	1
37	PCB LED	1
38	Panel front upper	1
39	Panel front under	1
40	Faucet O-ring	2
41	Faucet (Hot)	1
42	Faucet (Cold)	1
43	Holder button	1
44	Spring	1
45	Button push	1
46	Cover faucet (Hot)	1
47	Cover faucet (Cold)	1
48	Grill water	1
49	Tray water	1