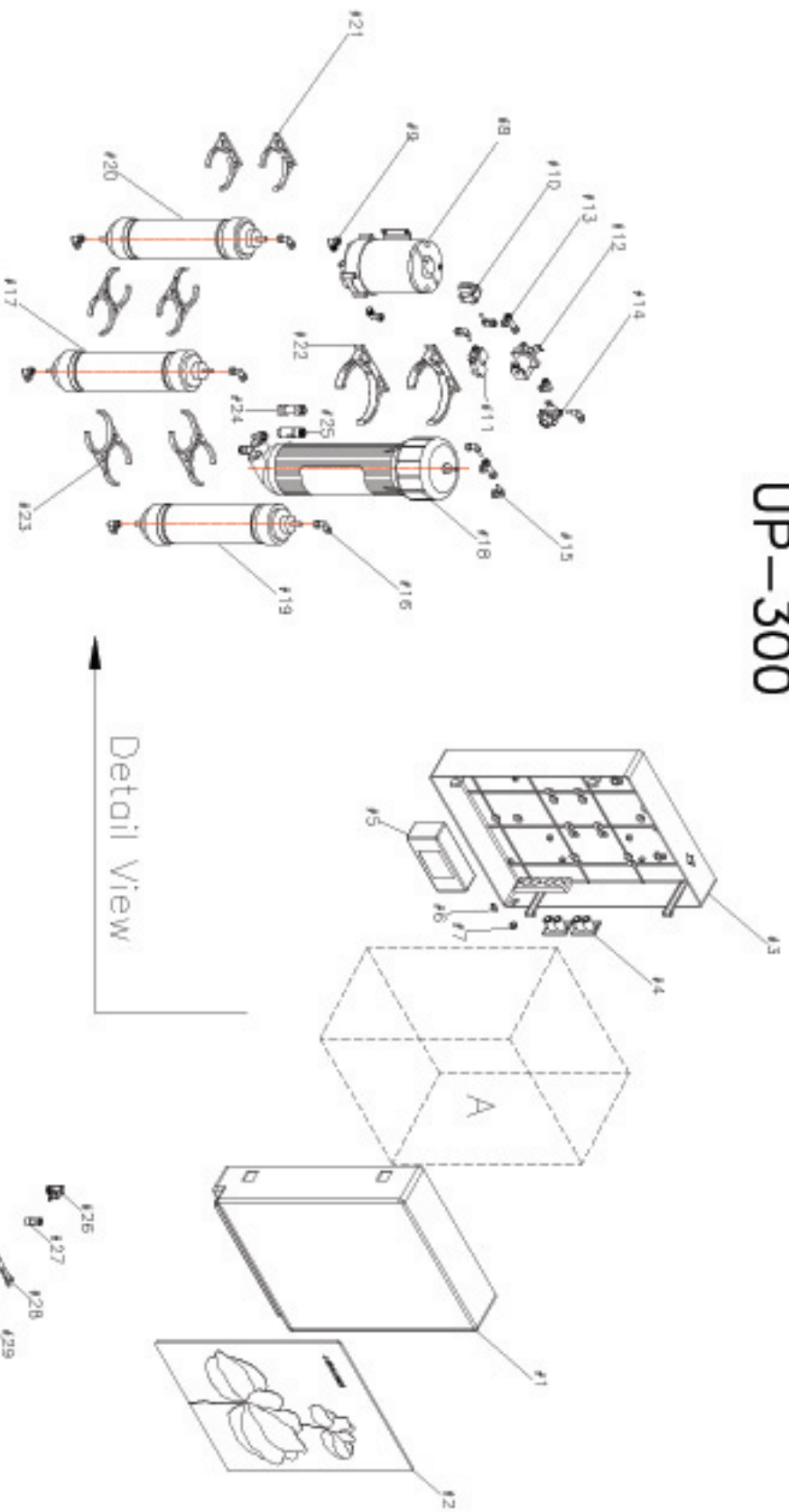


UP-300



1	Upper Part Panel
2	Upper Part Panel Cover
3	Under Part Panel
4	Two Way Bulk Head
5	Transformer(DC 24V 3A)
6	Clamp
7	Code Bushing
8	Booster Pump
9	Fixed Elbow(3/8)
10	Low Pressure Switch
11	High Pressure Switch
12	Solenoid Valve
13	T Fitting
14	Pressure Reducing Valve
15	Stem Elbow
16	L Fitting
17	Sediment Filter
18	Pre Carbon Filter
19	GPD 300 RO Membrane Filter
20	Post Carbon Filter
21	M Clip
22	GPD 300 RO Housing Clip
23	M-M Clip
24	Check Valve
25	Flow Restrictor
26	Feed Valve
27	I Fitting
28	Spanner
29	Faucet
30	Drain Valve

WACO Corp.