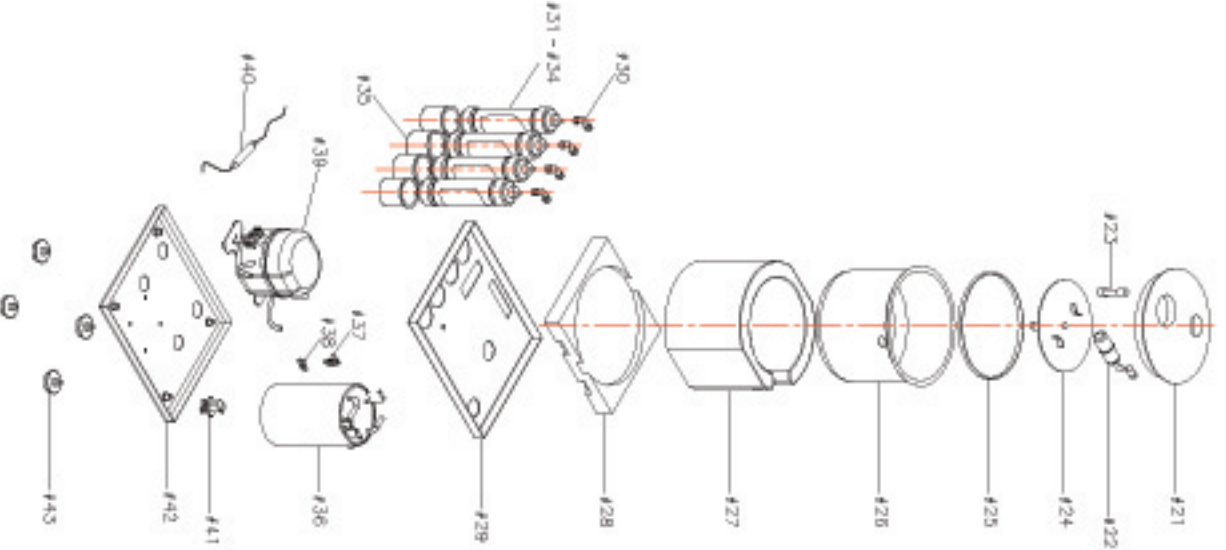
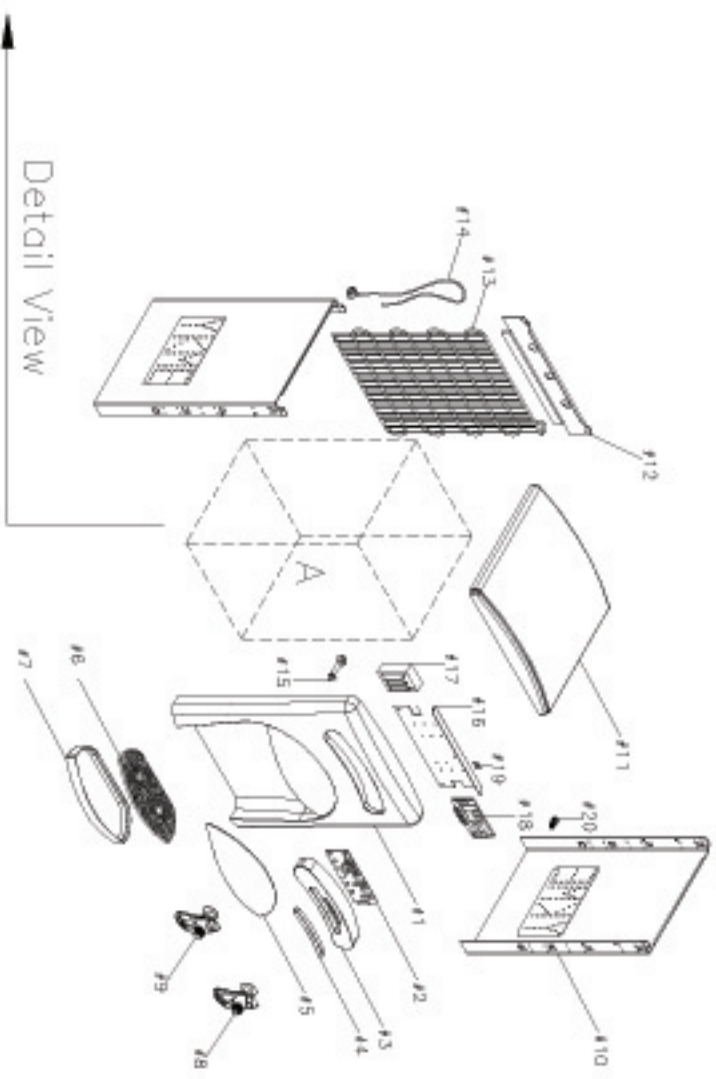


# Juliet-3



Detail A



Detail View

1	Upper Part Panel
2	Control PCB
3	LED Cover
4	LED Clear Cover
5	Upper Part Panel Cover
6	Water Tray Net
7	Water Tray
8	Faucet(COLD)
9	Faucet(HOT)
10	Side Panel
11	Top Panel
12	Back Panel
13	Wire condensor
14	Power Cord
15	Water Outlet
16	Main PCB Board
17	Transformer
18	Main PCB
19	Controller
20	Bulk Head
21	Reservoir Cover
22	Floot
23	Water Level Sensor
24	Separate Plate
25	Ring Packing
26	Cold Tank
27	Cold Tank Lagging(R)
28	Cold Tank Lagging(S)
29	Middle Shelf
30	Fitting
31	Sediment Filter
32	Pre Carbon Filter
33	UF Membrane Filter
34	Post Carbon Filter
35	Filter Clip
36	Hot Tank
37	Bimetal
38	Hot Tank Sensor
39	Compressor
40	Dryer
41	Solenoid Valve
42	Bottom Panel
43	Rubber Pad