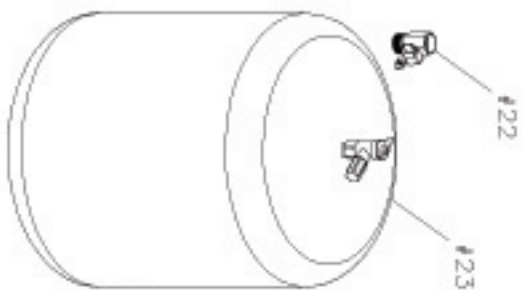
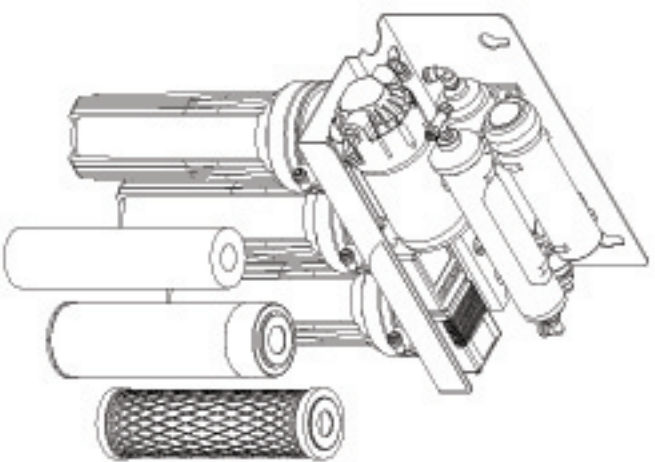
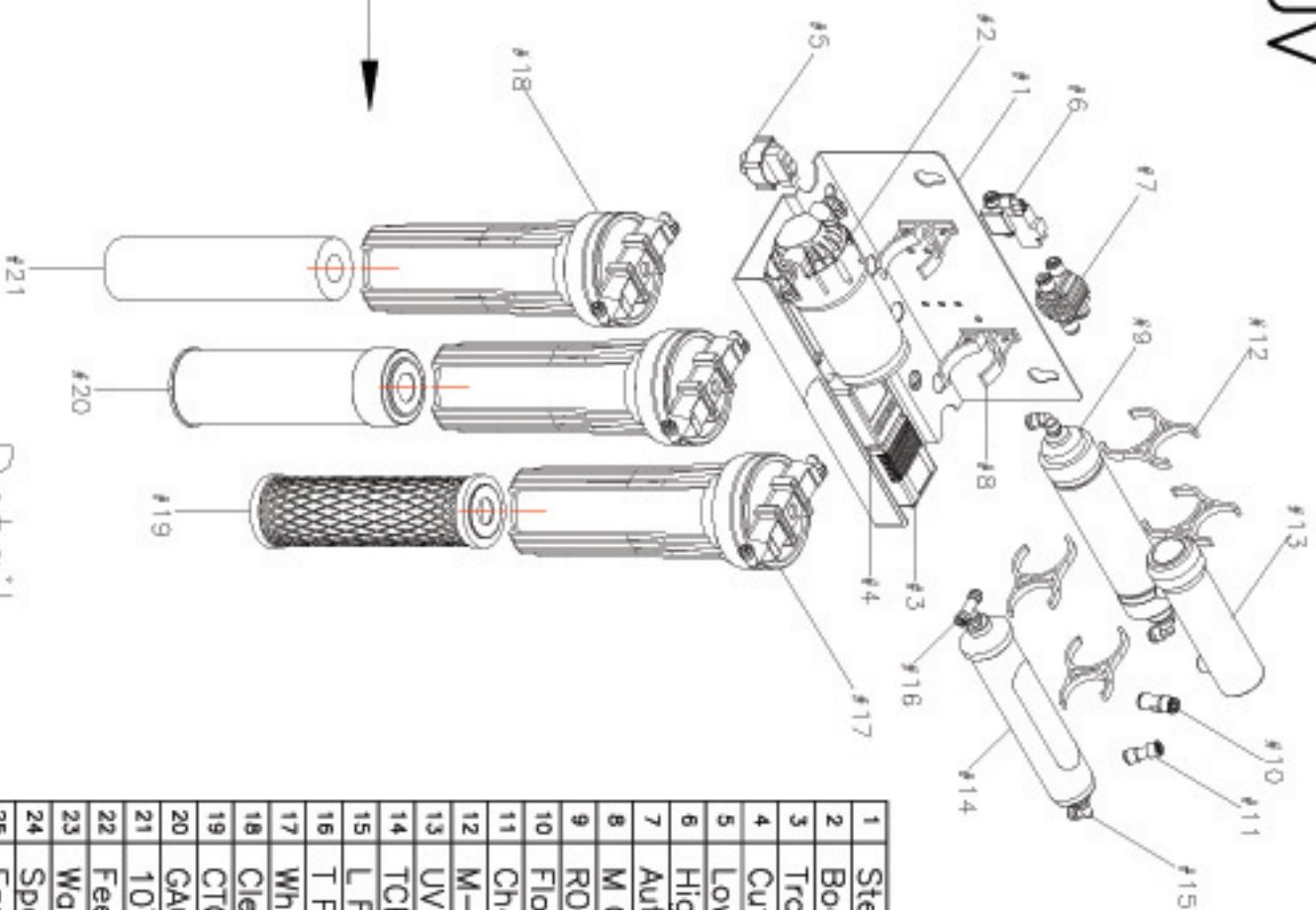
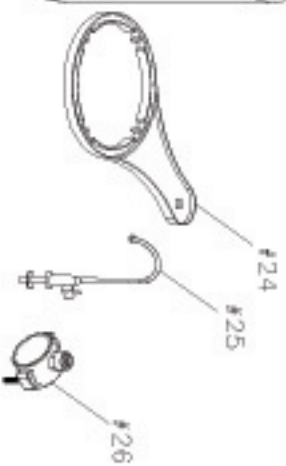


HR-800UV



Detail View



Detail

1	Steel Bracket
2	Booster Pump
3	Transformer
4	Cut Out Switch
5	Low Pressure Switch
6	High Pressure Switch
7	Auto Shut Off
8	M Clip
9	RO Membrane Filter
10	Flow Restrictor
11	Check Valve
12	M-T Clip
13	UV Filter
14	TCR Filter
15	L Fitting
16	T Fitting
17	White Housing
18	Clear Housing
19	CTO
20	GAC
21	10"PP
22	Feed Valve
23	Water Tank
24	Spanner
25	Faucet
26	Drain Valve

Accessory