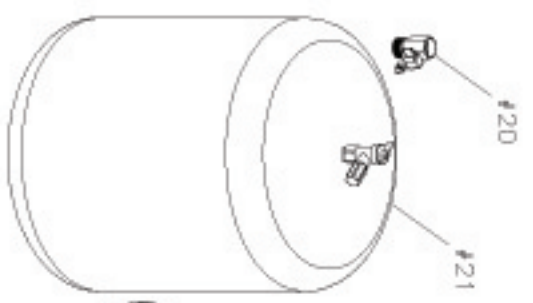
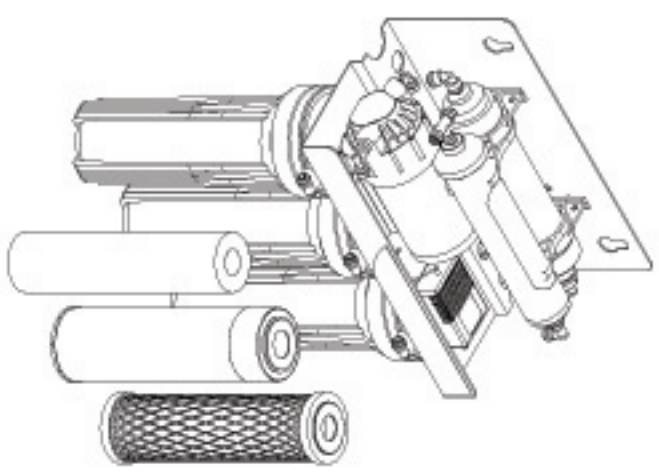
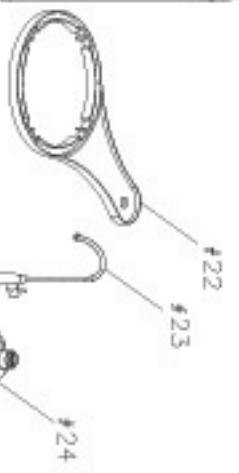


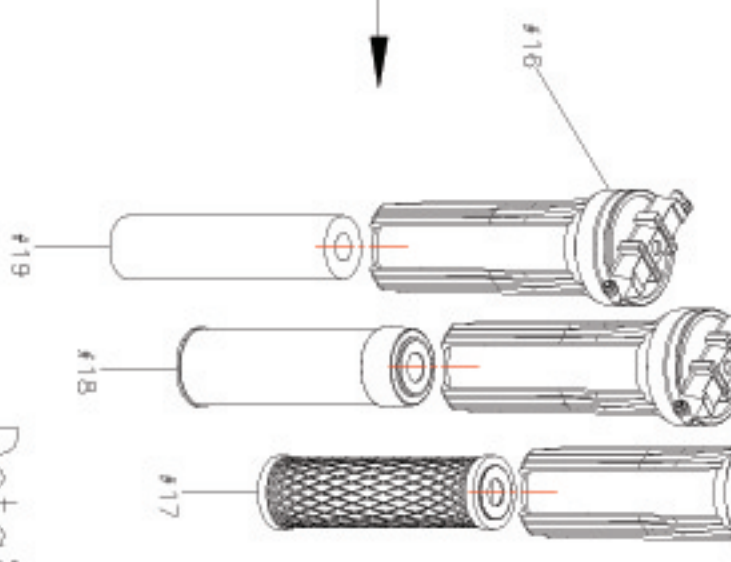
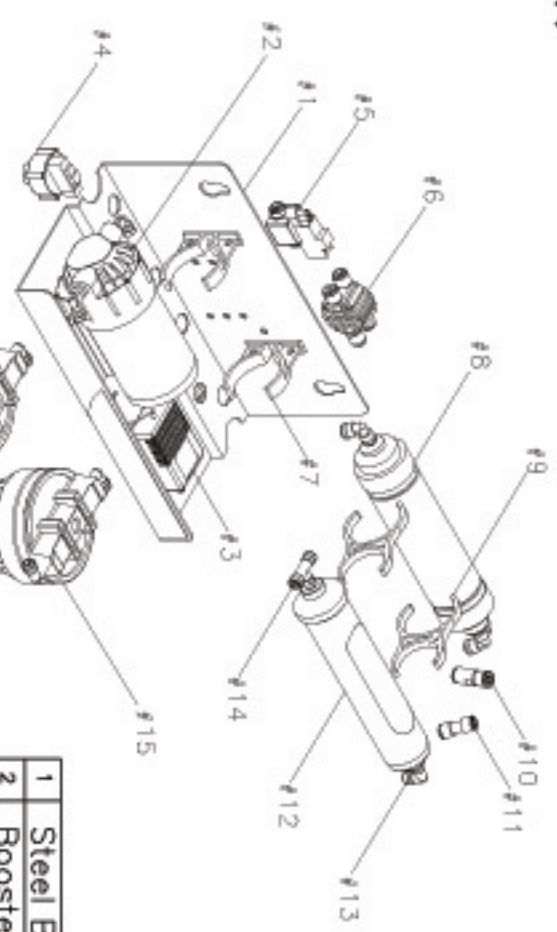
HR-800M



Detail View



Accessory



Detail

| | |
|----|----------------------|
| 1 | Steel Bracket |
| 2 | Booster Pump |
| 3 | Transformer |
| 4 | Low Pressure Switch |
| 5 | High Pressure Switch |
| 6 | Auto Shut Off |
| 7 | M Clip |
| 8 | RO Membrane Filter |
| 9 | M-T Clip |
| 10 | Flow Restrictor |
| 11 | Check Valve |
| 12 | TCR Filter |
| 13 | L Fitting |
| 14 | T Fitting |
| 15 | White Housing |
| 16 | Clear Housing |
| 17 | CTO |
| 18 | GAC |
| 19 | 10'PP |
| 20 | Feed Valve |
| 21 | Water Tank |
| 22 | Spanner |
| 23 | Faucet |
| 24 | Drain Valve |

WACO Corp.