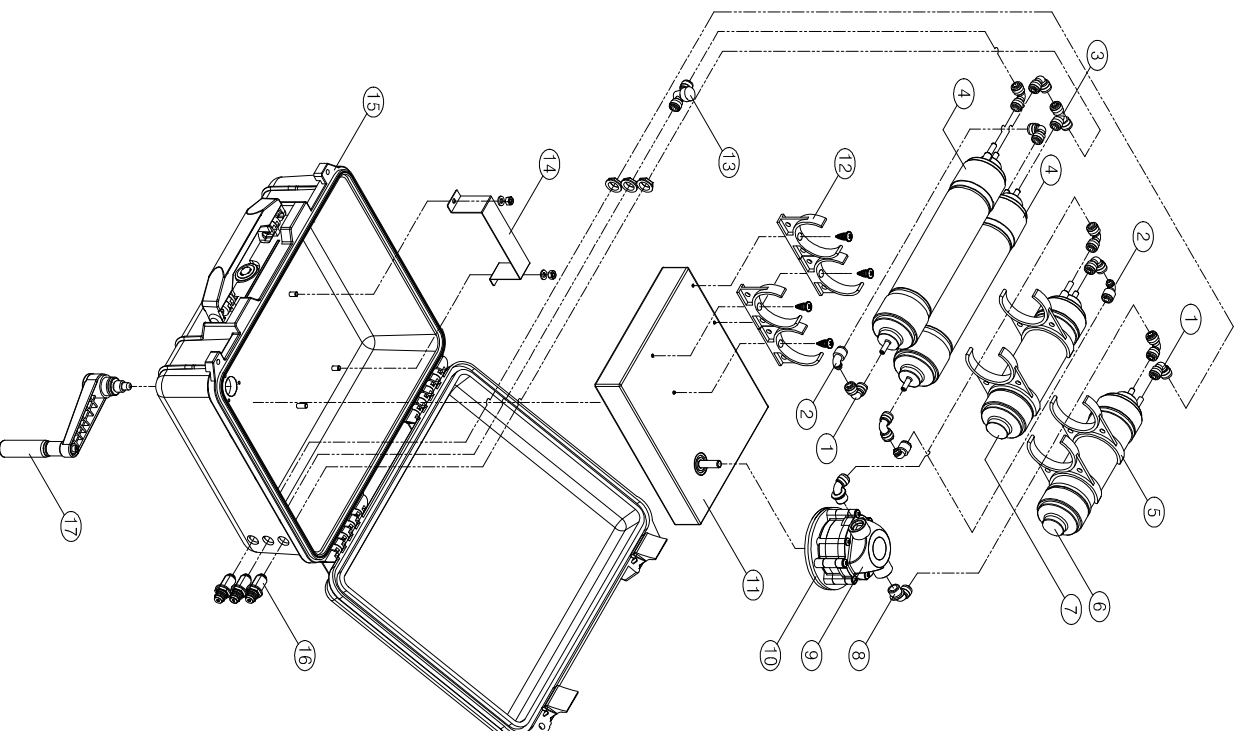
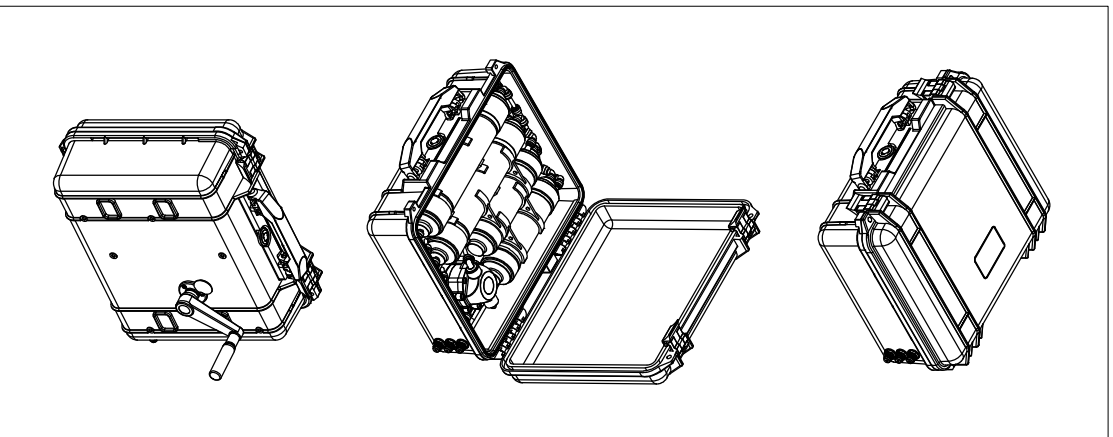
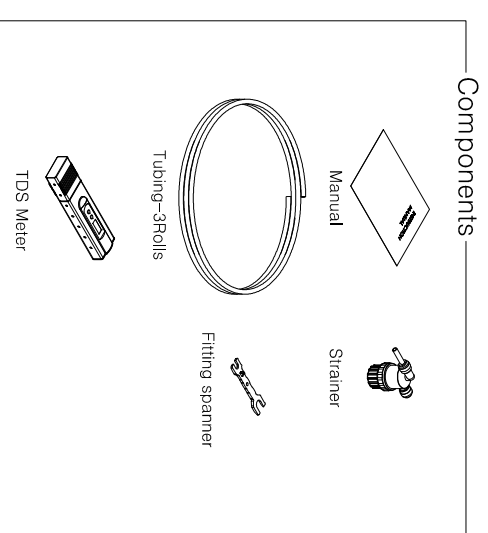


HPR0-201
휴대용 무전원 역삼투압 정수장비
(Portable Non-Powered R.O Water Purification Equipment)



NO	PART NAME	Q'TY	SPECIFICATION
1	L-Fitting	9	1/4"
2	Stem Elbow	3	1/4"
3	T-Fitting	1	1/4"
4	RO Membrane Filter	2	150GPD
5	Filter Clip	4	M-M Clip
6	Sediment Filter	1	9" U-Type
7	Pre Carbon Filter	1	9" U-Type
8	Fixed Elbow	2	3/8"
9	High Pressure Pump Head	1	
10	Pump Base	2	
11	Gear Box	1	
12	Filter Clip	4	M Clip
13	Flow Restrictor	1	#350
14	Filter Bracket	1	EGL, T1.0
15	Hard Case	1	PP
16	Bulkhead	3	1/4"
17	Crank Handle	1	



< Water Flow Process >
Feed Water ⇒ Sediment Filter ⇒ Pre Carbon Filter ⇒ Pump ⇒ RO Membrane ⇒ Drink Water

waco Corp.